

HIGHLEAD

GC0318-1/-2/-8

**HEAVY DUTY TOP AND BOTTOM FEED
LOCKSTITCH SEWING MACHINE**

**Instruction Manual
Parts Catalog**

SHANGHAI BIAOZHUN HAILING SEWING MACHINERY CO., LTD.

CONTENTS

1. Instruction Manual

1. MAIN SPECIFICATIONS.....	2
2. INSTALL THE MOTOR.....	2
3. CONNECT THE CLUTCH LEVER WITH THE PEDAL.....	2
4. PREPARATION AND LUBRICATION.....	3
5. REPLACE NEEDLES.....	3
6. NEEDLE, THREAD AND MATERIAL TO BE SEWN.....	4
7. RUN-IN OPERATION.....	4
8. THREADING.....	5
9. WINDING ADJUSTMENT.....	6
10. SET STITCH LENGTH AND REVERSE FEEDING.....	7
11. POSITION PRESSER BAR.....	7
12. ADJUST THE PRESSURE OF PRESSER FOOT.....	8
13. ADJUST THREAD TENSION.....	8
14. ADJUST THREAD TAKE-UP SPRING.....	9
15. ADJUST THREAD GUIDE AND THREAD TENSION.....	10
16. TIME NEEDLE TO ROTATING HOOK.....	11
17. REPLACE ROTATING HOOK.....	12
18. ADJUST THE HEIGHT OF FEED DOG.....	12
19. ADJUST THE POSITION OF FEED DOG.....	13
20. TIME FEED MOTION TO NEEDLE MOTION.....	13
21. ADJUST OPENING TIME OF THE TENSION DISCS.....	14
22. LUBRICATION ADJUSTMENT.....	15
23. REGULAR CLEANING.....	16

2. Parts Catalog

A. ARM BED AND ITS ACCESSORIES.....	17
B. NEEDLE BAR AND TAKE-UP, ARM SHAFT AND VERTICAL SHAFT MECHANISM.....	20
C. STITCH REGULATOR MECHANISM.....	23
D. FEEDING AND FEED LIFTING MECHANISM.....	25
E. PRESSER FOOT MECHANISM.....	27
F. PRESSER LIFTING, FEEDING MECHANISM.....	29
G. LUBRICATION MECHANISM	32
H. OIL RESERVOIR AND OTHER ACCESSORIES.....	34
I. BONNIN WINDER MECHANISM.....	36
J. OTHER ACCESSORIES.....	38

1. MAIN SPECIFICATIONS

- 1) Sewing material: Light-Medium material
- 2) Max. sewing speed: 2000 spm.
- 3) Stitch length: 0-8mm.
- 4) Needle bar stroke: 35mm.
- 5) Presser foot lift: 6mm (by hand) 13mm (by knee).
- 6) Needle: DP×17 No.18-No.24
DP×17 No.14-No.18
- 7) Lubrication: Automatic
- 8) Reverse feeding mechanism: Have

2. INSTALL THE MOTOR (Fig.1)

Align Motor Pulley Groove (B) and Balance Wheel Groove (A) by moving the motor leftward or rightward.

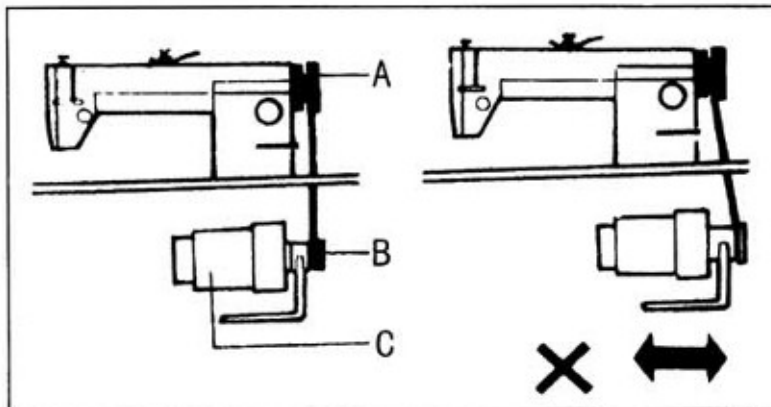


Fig. 1

3. CONNECT THE CLUTCH LEVER WITH THE PEDAL (Fig.2)

- 1) The optimum tilt angle of pedal (A) is approximately 15 deg.
- 2) Adjust Clutch Cover (D) so that Clutch-Lever (C) and Draw Bar (B) run in line.
- 3) The balance wheel should rotate counter-clockwise when viewed from the outside of Balance Wheel (G). The direction of the motor pulley rotation can be reversed (turning over 180 deg .) the power plug of the motor.
- 4) Adjust the tension of V-belt (F) by turning Motor Vertical Position Screw (E). The proper tension of the V-belt is a slack of 10-20mm when the belt is depressed at the center of the belt by finger.

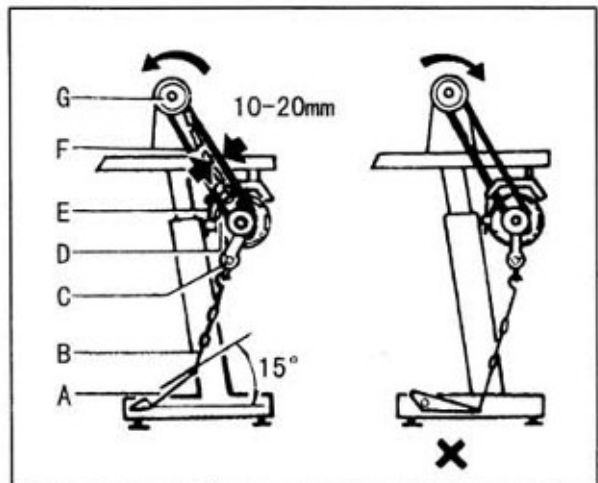


Fig. 2

4. PREPARATION AND LUBRICATION (Fig.3)

1) Cleaning the machine

Before leaving the factory, the machine parts are coated with rust-preventive grease, which may be hardened and contaminated by dust during storage and shipment. This grease must be removed with gasoline.

2) Examination

Though every machine is confirmed by strict inspection and test before leaving the factory, the machine parts may be loose or deformed after long distance transportation with jolt. A thorough examination must be performed after cleaning the machine. Turn the balance wheel to see if there is running obstruction, parts collision, uneven resistance or abnormal noise. If these exist, adjustment must be made accordingly before run-in operation.

3) Oiling

(1) Required amount of oil.

Line (A) on the oil reservoir: Max. oil level.

Line (B) on the oil reservoir: Min. oil level.

If oil level goes down under line (B), oil cannot be distributed to each part of the machine, thus causing the parts a seizure.

(2) Replenishing

Always use only No.18 special machine oil for high speed sewing. Be sure to replenish oil to Line (A) before starting operation.

(3) Replacing oil

To replace oil, remove Screw (C) to drain oil. After completely draining off oil, clean the oil reservoir and securely tighten Screw (C), then fill the reservoir with fresh oil.

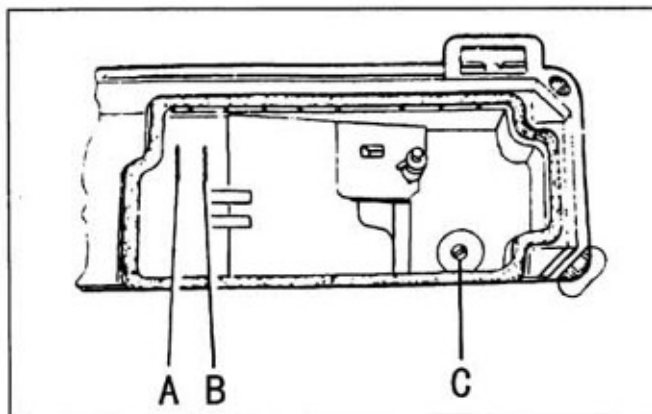


Fig. 3

5. REPLACE NEEDLES (Fig.4)

Turn the balance wheel to lift needle bar to the upper end of its stroke. Loosen Needle Clamp Screw 1. While keeping the long groove of the needle leftward fully insert the needle shank up to the bottom of the needle socket. Then tighten Needle Clamp Screw A.

Note: Fig. (b): insufficient insertion.

Fig. (c): wrong direction of long groove.

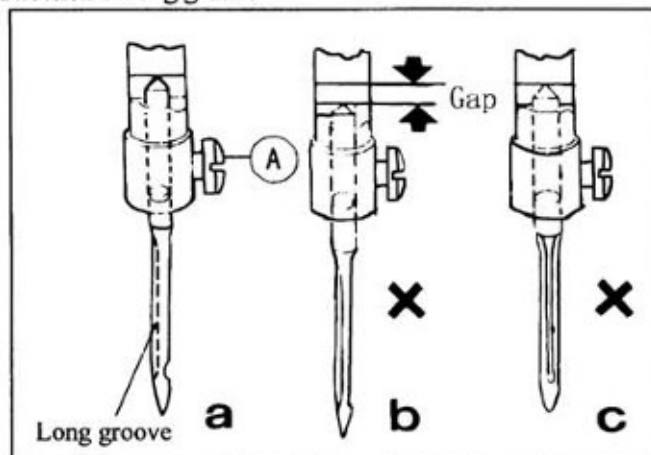


Fig. 4

6. NEEDLE, THREAD AND MATERIAL TO BE SEWN

Needle Size	Thread Number	Material
No.14	No.60-No.65	Cotton, Woolen
No.16	No.30-No.50	Muslin, Woolen, Tarpaulin, Thin Leather
No.22		Medium leather, Canvas

7. RUN-IN OPERATION (Fig. 5)

Run-in operation is required for a new sewing machine, or a sewing machine left out operation for a considerable length of time.

- 1) Remove Red Rubber Plugs (A) on the top of the arm and replenish sufficient amount of oil.
- 2) Lift Presser Foot (B).
- 3) Run the machine at a low speed (1000-1500spm) to check oil distributing condition through Oil Check Window (C).
- 4) Perform run-in operation at 1000-1500spm for 30minutes. After a lapse of one month of service during which the working speed is increased gradually and the machine runs sufficiently well, the high speed 2000spm can be adopted according to the nature of the work.

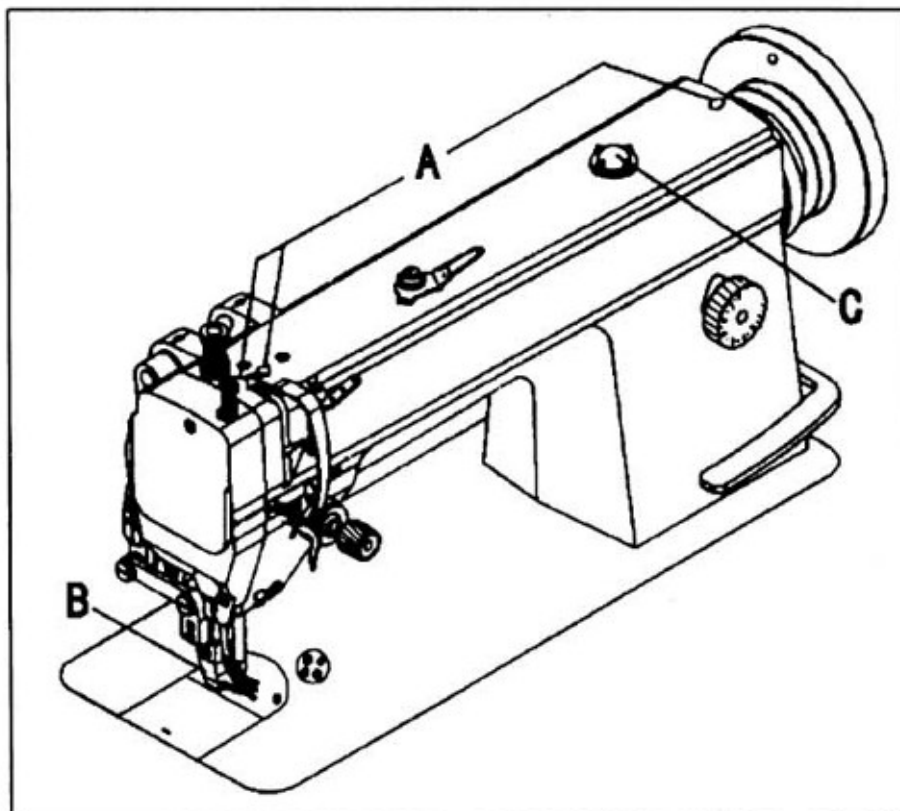


Fig. 5

8. THREADING (Fig.6)

To thread the needle thread, raise needle bar to the upper end of its stroke, lead the thread from spool and perform threading as shown in Fig.6 . To draw the bobbin thread, hold the end of the needle thread and turn the balance wheel to lower the needle bar and then to lift it to its highest position. Pull the needle thread and the bobbin thread is drawn up. Put the ends of needle thread and bobbin thread frontward under presser foot.

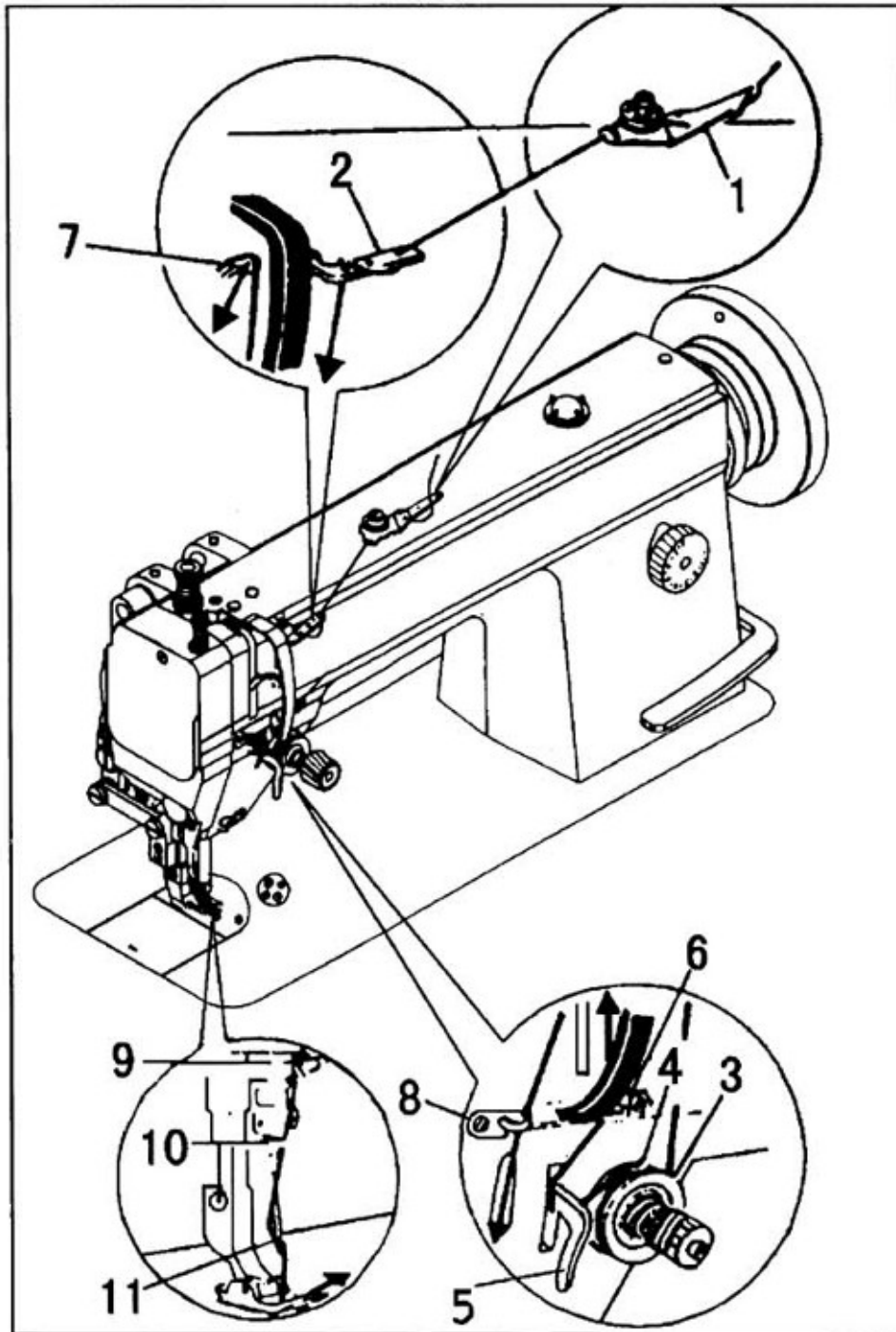


Fig. 6

9. WINDING ADJUSTMENT (Fig.7)

1) The wound bobbin thread should be neat and tight, if not, adjust the winding tension by turning Tension Stud Nut (A) of bobbin winder tension bracket.

Note: nylon or polyester thread should be wound with little tension, otherwise, Bobbin (D) might break or deform.

2) When the wound thread layer does not present a cylindrical shape as shown in Fig.7 (a), loosen Set Screw (B) of bobbin winder tension bracket and slide Bracket (C) leftward or rightward. If thread is wound as shown in Fig.7 (b), move the bracket rightward, but if thread is wound as shown in Fig.7 (c), move the bracket leftward.

After adequately positioning the bracket, tighten Set Screw (B).

3) Do not overfill the bobbin. The optimum length of thread will fill about 80% of bobbin capacity. This can be adjusted by Adjusting Screw (E) of bobbin winder stop latch.

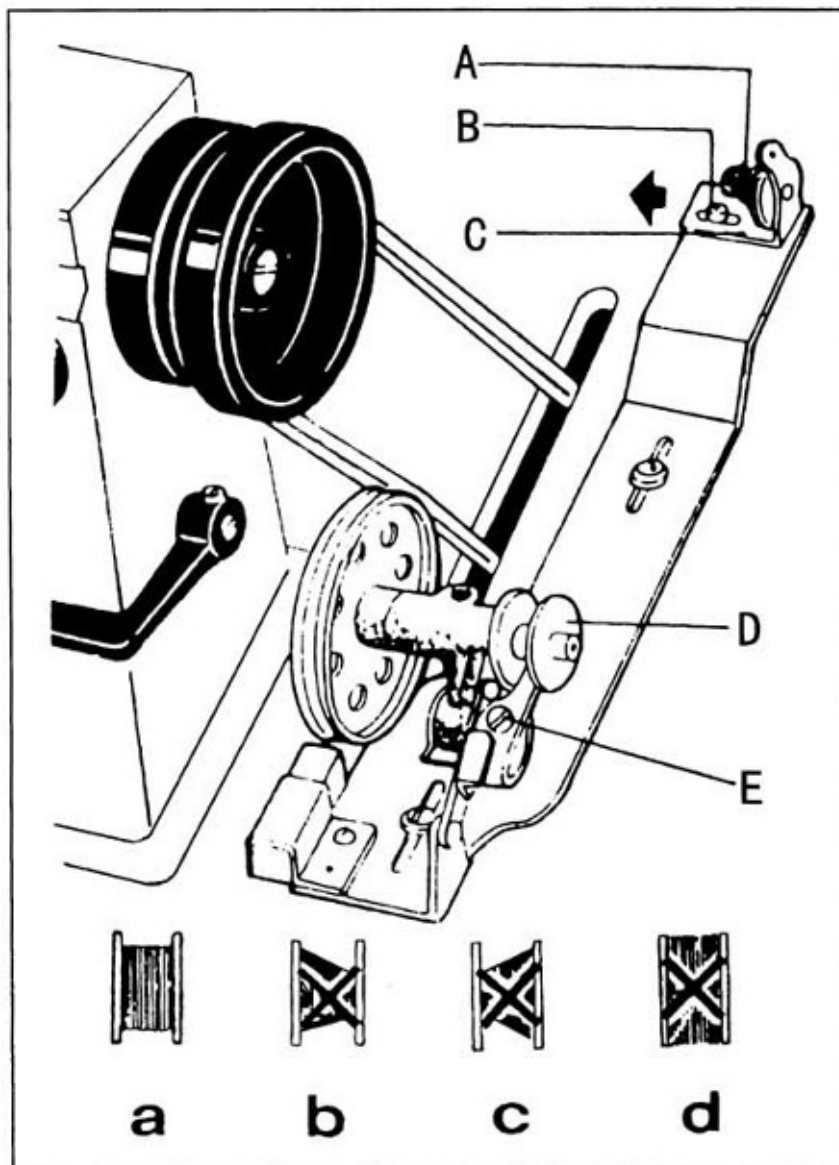


Fig. 7

10. SET STITCH LENGTH AND REVERSE FEEDING (Fig.8)

- 1) Stitch length can be set by turning Dial (A).
- 2) The figures on Face (B) of dial show stitch length in mm.
- 3) Reverse feeding starts when Reverse Feed Lever (C) is depressed, and the machine will feed forward again if Reverse Feed lever (C) is released.

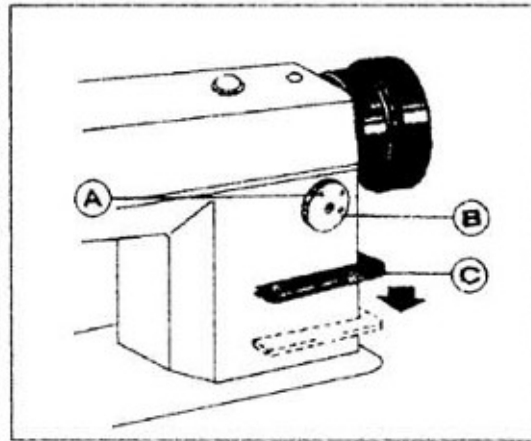


Fig. 8

11.POSITION PRESSER BAR (Fig.9)

- 1) Loosen lock Nut (E) and Pressure Regulating Thumb Screw (A).
- 2) Remove rubber plug from Face Plate (B).
- 3) Loosen Screw (C) and adjust the position of Presser Bar (D) till the presser foot is 6 mm above the throat plate will the presser foot lifted to its highest.
- 4) Tighten Screw (C) and put in the rubber plug.
- 5) Tighten pressure Regulating Thumb Screw (A) and Lock Nut (E).

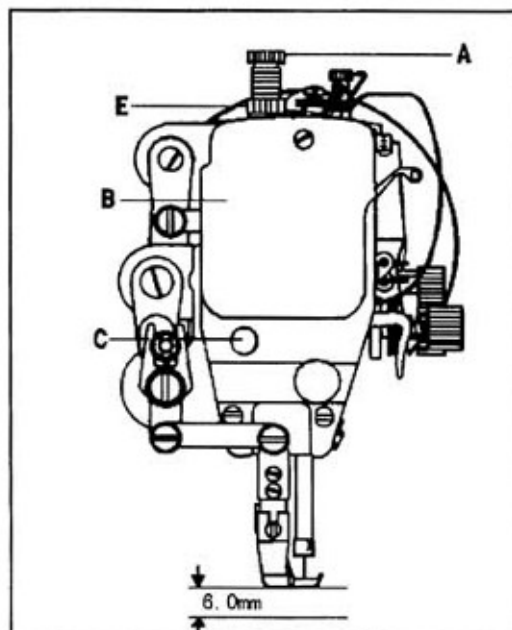


Fig. 9

12. ADJUST THE PRESSURE OF PRESSER FOOT (Fig.10)

Pressure of presser foot is to be adjust in accordance with thickness of materials to be sewn.

First loosen Lock Nut (A). For heavy materials, turn the pressure regulating thumb screw as shown in Fig.10 (a) to increase the pressure, while for light materials, turn the pressure regulating thumb screw as shown in Fig.10 (b) to decrease the pressure. Then tighten Lock Nut (A).

The pressure of presser foot is recommended to be less as long as normal feeding is ensured.

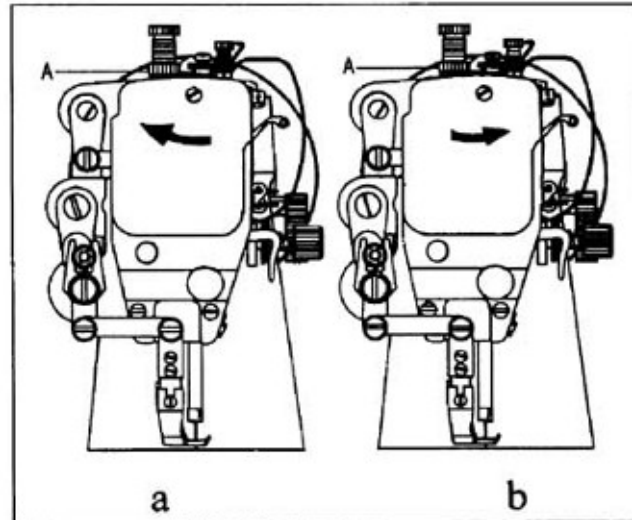


Fig. 10

13. ADJUST THREAD TENSION (Fig.11,12)

In principle, thread tension is to be adjusted in accordance with materials, thread and other factors.

In practice, thread tension is adjusted according to the stitches obtained. The needle thread tension should be adjusted with reference to the bobbin thread tension. Turn Tension Spring Regulating Screw (A) of bobbin case clockwise for more tension, or turn the screw counter-clockwise for less tension.

It is common practice to test the bobbin test the bobbin thread tension as shown in Fig.12 . Hold the end of the thread from delivery eye. If the bobbin case is falling slowly, the proper tension is obtained. The needle thread tension can be adjusted by setting (1) the take-up spring tension, (2) the thread take-up spring stroke and (3) tension spring. All these adjustments will be described in the following.

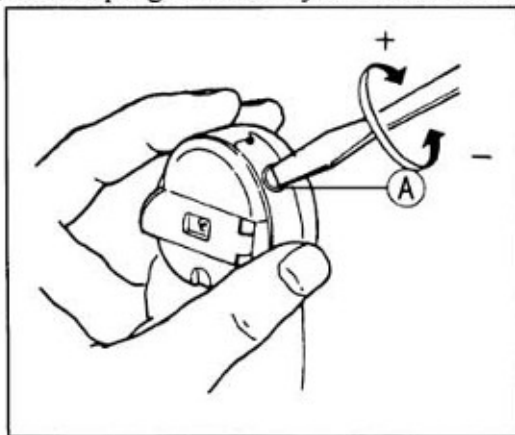


Fig. 11

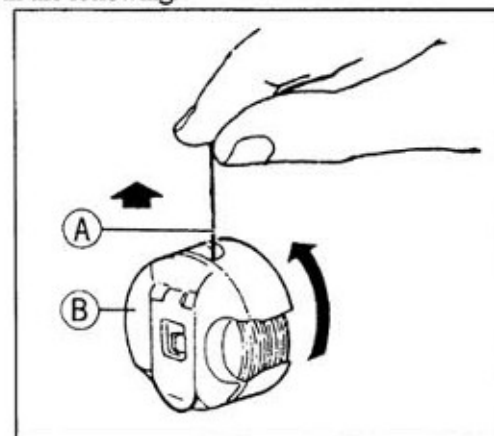


Fig. 12

14. ADJUST THREAD TAKE-UP SPRING (Fig.13,14)

1) Adjusting the thread take-up spring tension

Loosen Set Screw (A), turn Tension Stud (B) clockwise to increase the spring tension, or turn the stud counter-clockwise to decrease the spring tension. After the adjustment, be sure to tighten Set Screw (A). The thread take-up spring tension should be about 30g. To Attain this. First loosen Set Screw (A), turn Tension Stud (B) counter-clockwise to decrease the tension of Thread Take-up Spring (C) to zero, then turn Tension Stud (B) clockwise until Spring (C) comes to the notch of thread tension regulating bushing, and again turn Tension Stud (B) halfway back (counterclockwise) After the adjustment. Tighten Set Screw (A).

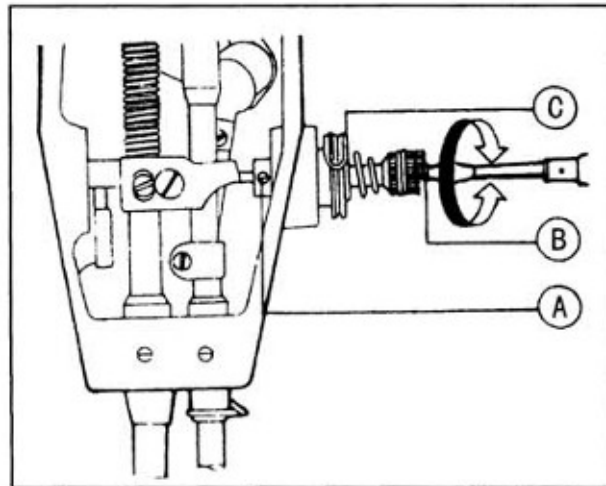


Fig. 13

2) Adjusting the thread take-up spring stroke

Loosen Set Screw (B), turn Stud (C) clockwise to increase the stroke or turn Stud (C) counter-clockwise to decrease the stroke. After the adjustment, tighten Set Screw (B).

Before leaving the factory, the thread take-up spring has properly been adjusted. Readjustment is needed only in the case of special material or special thread.

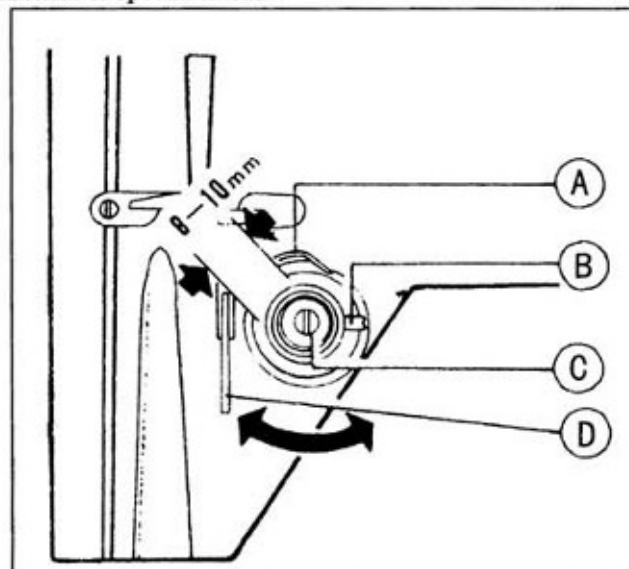


Fig. 14

15. ADJUST THREAD GUIDE AND THREAD TENSION (Fig.15,16)

The position of the thread guide affects stitch tightness and therefore must be adjusted according to sewing materials and sewing conditions.

	1	2	3
Thread guide position	Leftward	Center	Rightward
Material weight	Heavy	Medium	Light

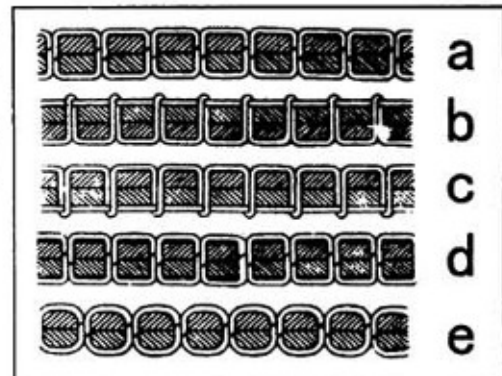


Fig.15 shows different stitch forms. Normal stitch form should be as shown in Fig.15 (a). When abnormal stitches cause puckering and thread break-age, the tension of needle thread and bobbin thread must be adjusted accordingly.

Fig. 15

- 1) In case needle thread tension is too strong or bobbin thread tension is too weak, as shown in Fig.15 (b), turn the thumb nut counterclockwise to decrease the needle thread tension, or tighten the tension spring regulating screw of bobbin case to increase the bobbin thread tension (See Fig.16)
- 2) In case needle thread tension is too weak or bobbin thread tension is too strong, as shown in Fig.15 (c), turn the thumb nut clockwise to increase the needle thread tension, or loosen the tension spring regulating screw of bobbin case to decrease the bobbin thread tension.
- 3) In case of the stitch forms as shown in Fig.15 (d) and (e), adjustments can be made with reference to the above means.

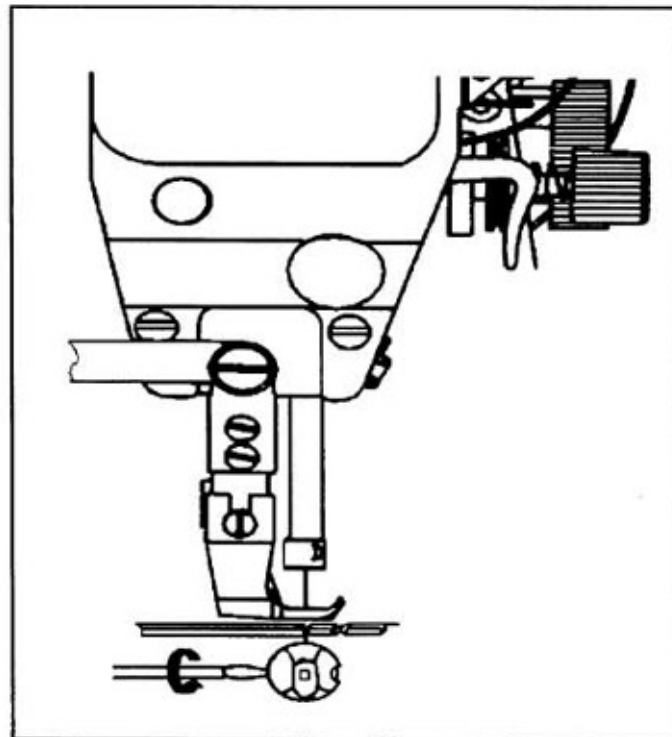


Fig. 16

16. TIME NEEDLE TO ROTATING HOOK (Fig.17,18,19,20)

A. Adjusting the needle position (See Fig.17)

- 1) Turn balance wheel by hand to bring Needle Bar (C) to the lowest position of its stroke.
- 2) Remove rubber plug from Face Plate (A).
- 3) Loosen Set Screw (B) of needle bar adaptor.
- 4) Move Needle Bar (C) vertically to adjust needle timing.
- 5) After the adjustment, tighten Set Screw (B) and put in the rubber plug. The standard needle timing (See Fig.18) is to align Timing Mark (B) on the needle bar and the bottom of Needle Bar Bushing (A) and meanwhile align the Inner Surface (E) of the hook and the center of Needle Eye (D) when the needle bar gets down to its lowest position.

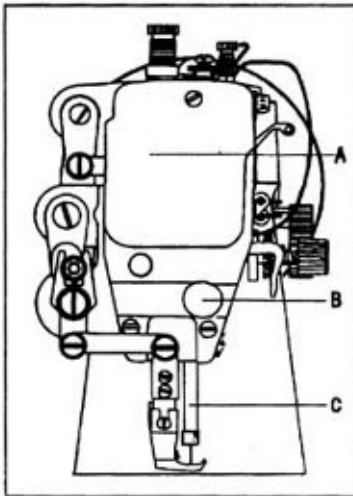


Fig. 17

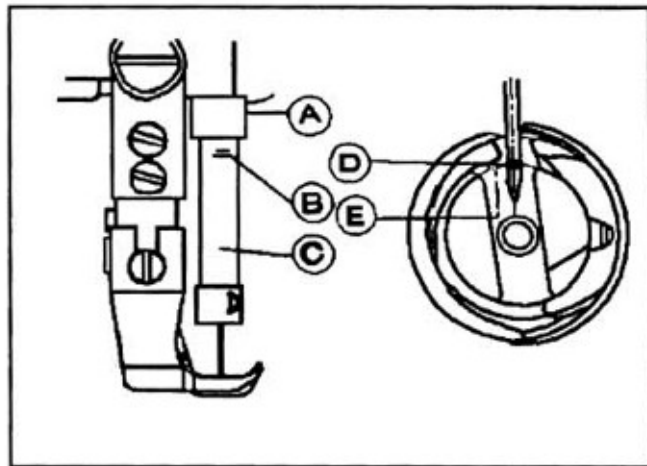


Fig. 18

B. Adjusting the hook point timing

Timing of needle motion to rotating hook motion has a great effect on sewing performance. The standard hook point timing (See Fig.19) is to align Hook Point (D) and Needle Centerline (C) when Needle Bar (B) is lifted by 2.2mm from the lower end of its stroke. Besides, Hook Point (D) should be 1.0-1.5mm above the upper end of needle eye (E).

When adjusting the hook point timing, also notice that the clearance between the bottom of needle notch and Hook Point (C) should be approx. 0.05mm (See Fig.20)

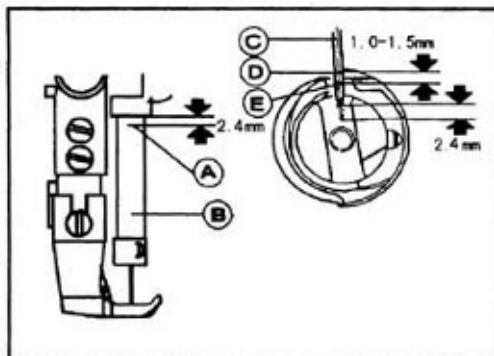


Fig. 19

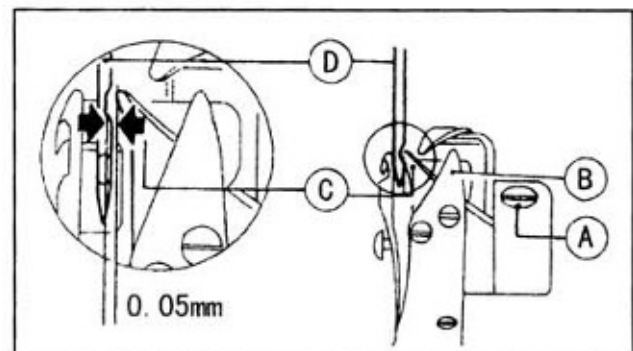


Fig. 20

17. REPLACE ROTATING HOOK (Fig.21)

- 1) Lift needle bar to the highest position of its stroke.
- 2) Remove throat plate, take down needle and bobbin case.
- 3) Loosen Screw (C) of hook positioner and take down Hook Positioner (A).
- 4) Loosen two Screws (D) of rotating hook.
- 5) Turn balance wheel to raise feed bar to its highest position, then take down the rotating hook by turning it away from feed bar.
- 6) Installing the hook can be done in reverse sequence. Note that Needle (B) and the convex surface of Hook Positioner (A) should align with a clearance of 0.5-0.7mm between them.

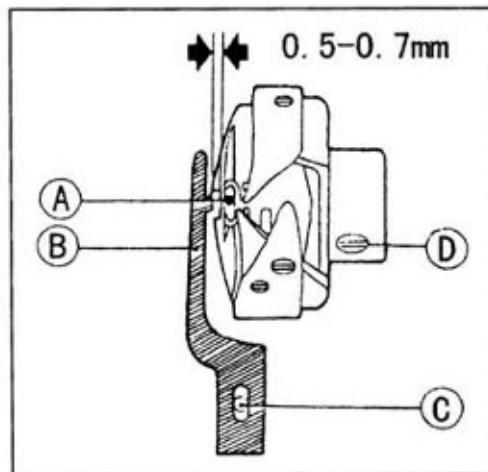


Fig. 21

18. ADJUST THE HEIGHT OF FEED DOG (Fig.22,23)

- 1) Turn balance wheel until feed dog is lifted to its highest position from throat plate surface.
- 2) Loosen Screw (A) of feed lifting rock shaft crank right (See Fig.22,b)
- 3) Move Feed Bar (B) in the direction shown by the arrow in Fig. 22 (a) to adjust the height of the feed dog. The standard height of feed dog is that the top of feed dog is 0.8mm above Throat Plate Surface (B).
- 4) After the adjustment, be sure to tighten Screw (A).

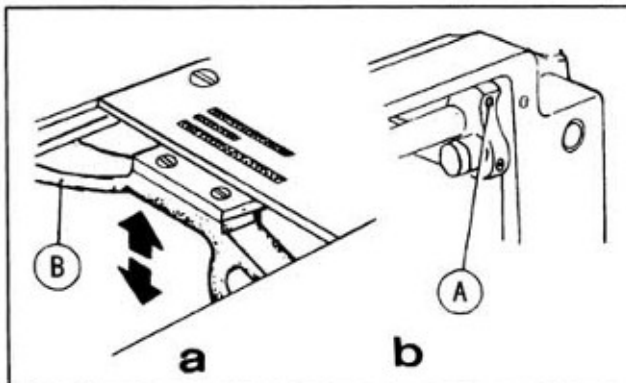


Fig. 22

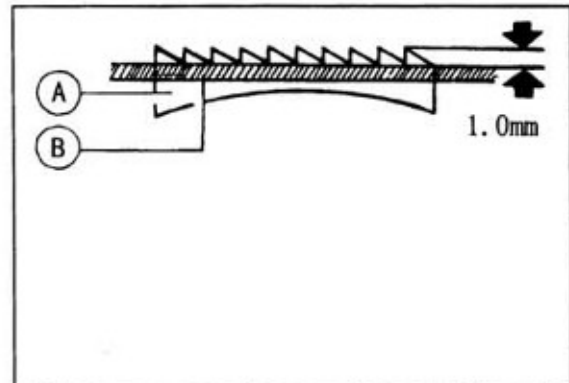


Fig. 23

19. ADJUST THE POSITION OF FEED DOG (Fig.24,25)

The standard position of feed dog is that the clearance between the front end of the throat plate slot and the first tooth of the fully advanced feed dog is 1 mm, as shown in Fig.24 .

- 1) Fully advance the feed dog toward the front end of the throat plate slot.
- 2) Loosen Feed Rock Shaft Crank Screw (A). See Fig.25 (b).
- 3) Move Feed Bar (B) in the direction shown by the arrow in Fig. 25 (a) to adjust the feed dog position.
- 4) After the adjustment, be sure to tighten Screw (A).

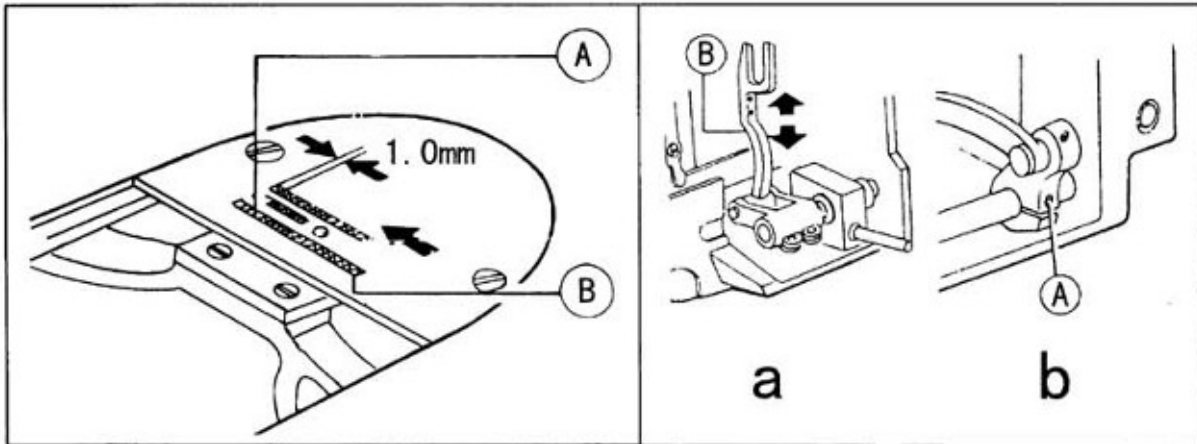


Fig. 24

Fig. 25

20. TIME FEED MOTION TO NEEDLE MOTION (Fig.26,27,28)

The standard timing of feed motion to needle motion is that the top of feed Dog (C) is flush with Throat Plate Surface (B) when the point of Needle (A) reaches Throat Plate Surface (B). See Fig.26 .

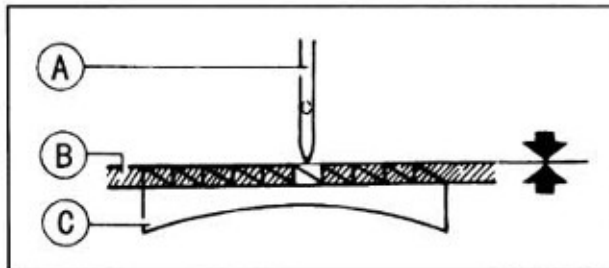


Fig. 26

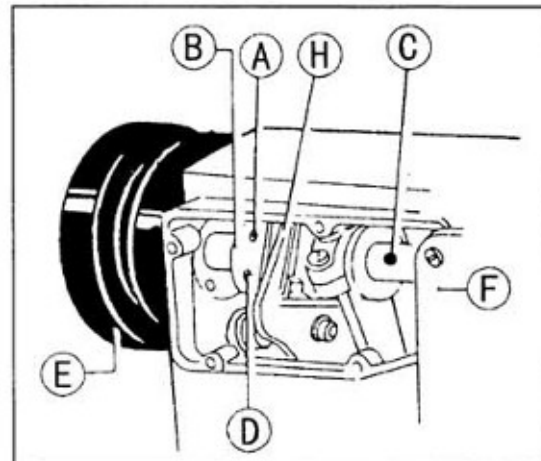


Fig. 27

If feed motion is not timed to needle motion, adjust as follows (See Figs.27 and 28).

- 1) Remove Arm Side Cover (F).
- 2) Loosen Set Screws (A) and (D) of feed and feed lifting eccentric.
- 3) Hold Feed and Feed Lifting Eccentric (B) and turn Balance Wheel (E) slowly until the upper edge of Arm Shaft Oil Hole (C) aligns with the lower edge of Reference Hole (G) of feed and feed lifting eccentric.

4) Leave a clearance of 0.3-0.5mm between Feed and Feed Lifting Eccentric (B) and Eccentric Sleeve (H), then tighten Set Screws (A) and (D).

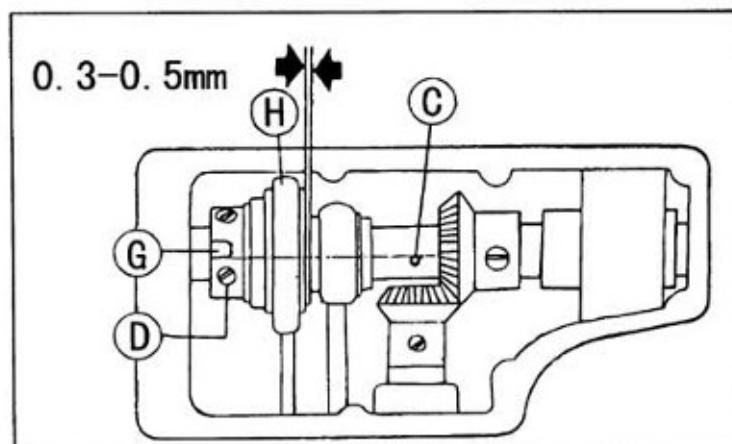


Fig. 28

21. ADJUST OPENING TIME OF THE TENSION DISCS (Fig.29)

within the presser foot lift range of 2-7mm opening time of the tension discs can be adjusted as follows:

- 1) Remove the rubber plug from the back of arm and loosen Screw (A) of knee lifter lever (left).
- 2) Move the tension releasing cam leftward for earlier opening or rightward for later opening. It will facilitate the adjustment to put under the presser foot a block as thick as the presser foot lift.
- 3) After the adjustment, fully tighten Screw (A).

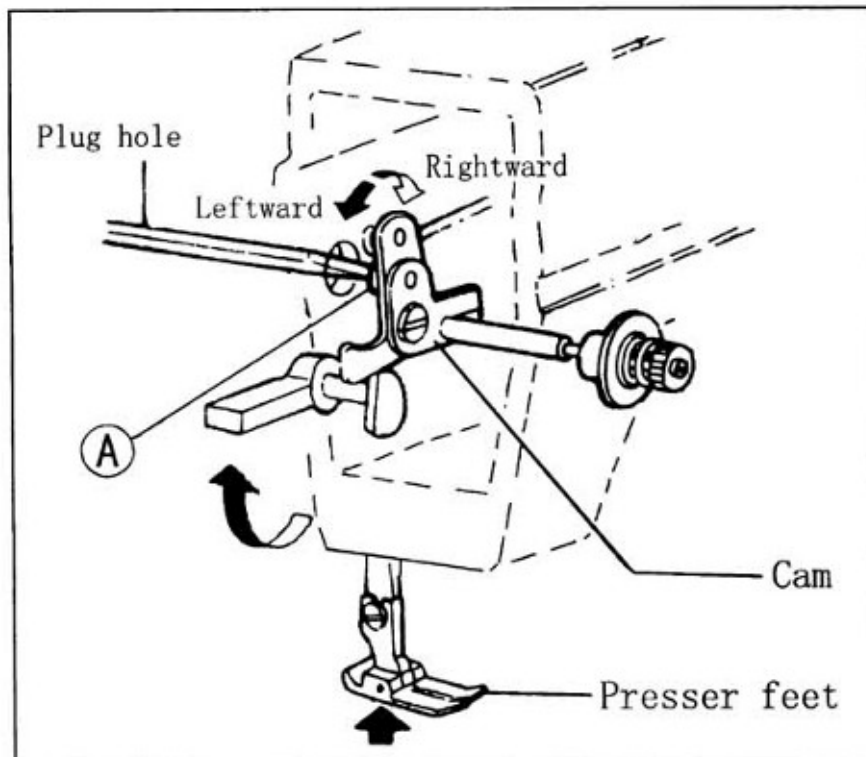


Fig. 29

22. LUBRICATION ADJUSTMENT (Fig.30)

A. Adjusting oil pump.

In ordinary operation, adjustment is not required for the oil pump. If oil splashing does not occur in the oil check window when the machine runs at a low speed (approx.2000spm), reduce the clearance of the by-pass hole.

B. Adjusting the lubrication of rotating hook.

The lubrication of the rotating hook can be adjusted by Oil Adjusting Screw (A) as follows:

1) Turn Oil Adjusting Screw (A) clockwise to increase oil and turn Oil Adjusting Screw (A) counterclockwise to decrease oil.

2) Oil Adjusting Screw (A) adjusts oil amount within 5 turns. When Oil Adjusting Screw (A) is fully tightened, oil amount is maximum.

3) Readjustment depends on temperature, sewing speed and the like. In practice, oil amount can be judged as follows: remove the throat plate and place a piece of paper on instead, run the machine for about 20 seconds, then check the oil splashed on the paper.

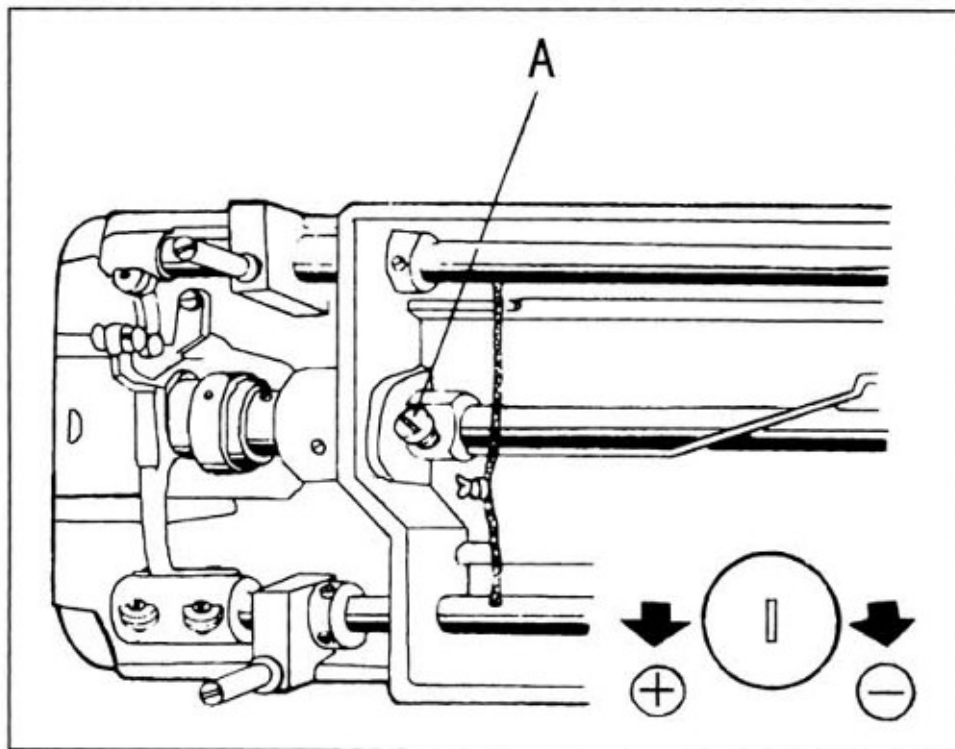


Fig. 30

23. REGULAR CLEANING (Fig.31,32,33)

1) Cleaning feed dog (See Fig.31)

Remove the throat plate and clear off the dust and lint between feed dog tooth slots.

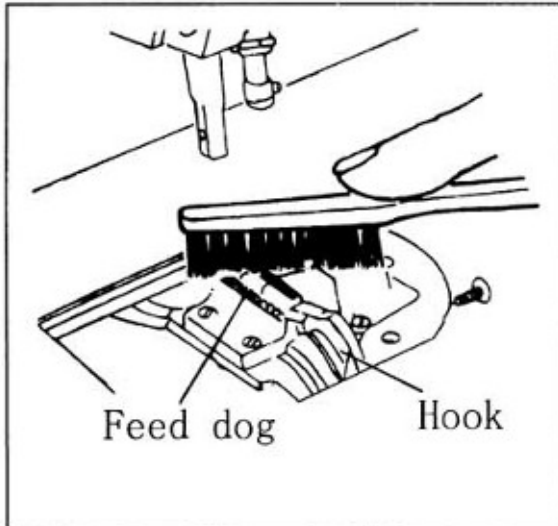


Fig. 31

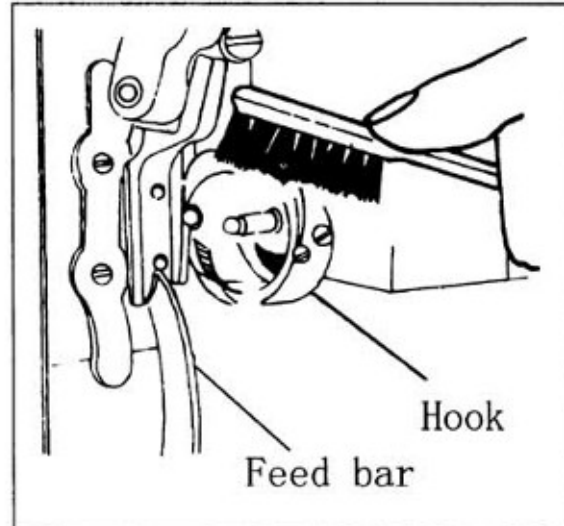


Fig. 32

2) Cleaning rotating hook (See Fig 32)

Swing out the machine head and clean the hook. Wipe the bobbin case with soft cloth.

3) Cleaning oil pump, screen (See Fig.33)

Swing out the machine head and clear off the dust and dirt on oil pump screen.

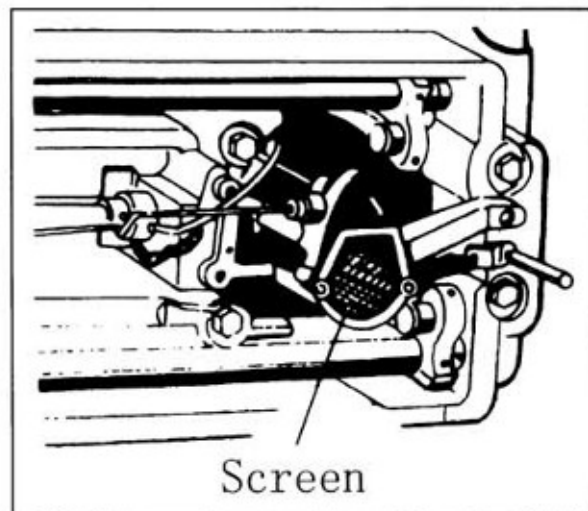
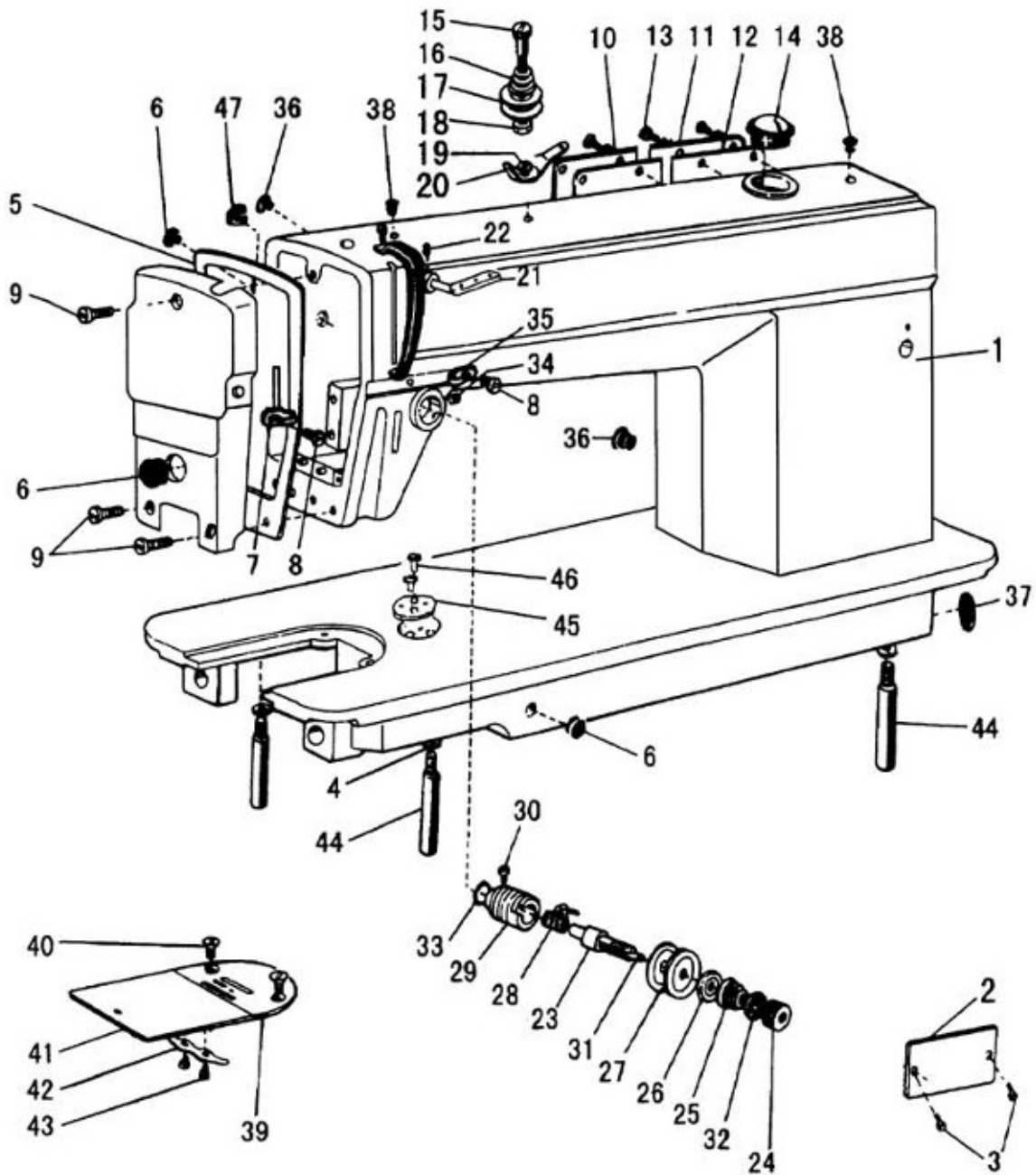


Fig. 33

A.ARM BED AND ITS ACCESSORIES



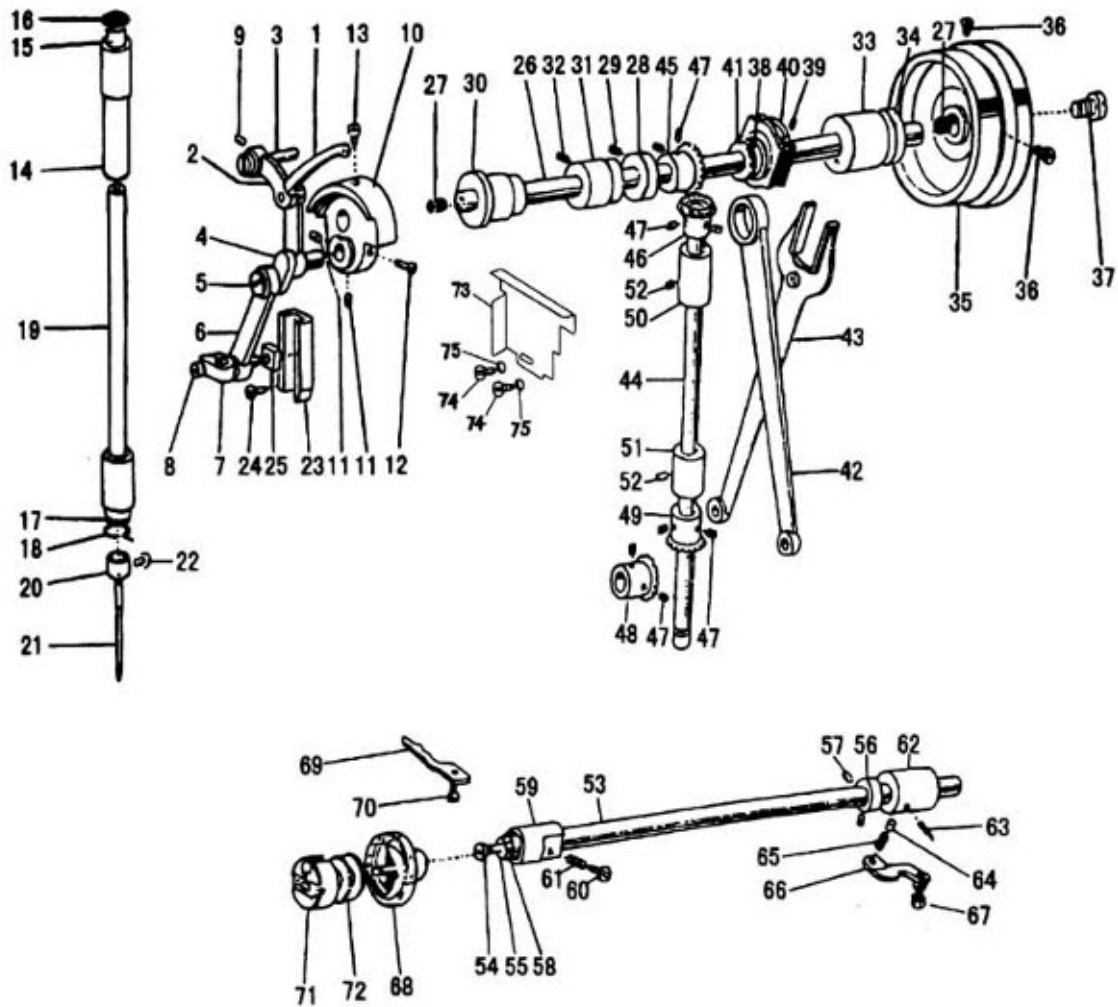
A. ARM BED AND ITS ACCESSORIES

Fig. No.	Part No.	Description	GC0318-1	GC0318-2	GC0318-8	GC0618	Remarks
A01	H2104B0652	Arm	1	1	1		
A01	H2304B0652	Arm				1	
A02	H2106B0065	Trade mark plate	1				
A02	H3800B2010	Trade mark plate		1			
A02	H2900B2010	Trade mark plate			1		
A02	H2306B0065	Trade mark plate				1	
A03	H924025050	rivet	4	4	4	4	GB/T827 ϕ 2.5×5
A04	H005008060	Spring washer	2	2	2	2	GB/T93 6
A05	H2100B2050	Face plate	1		1		
A05	H2100B2110	Face plate		1			
A05	H2300B2050	Face plate				1	
A06	HA306B0674	Rubber plug (ϕ 11.8)	1	1	1	1	
A07	HA607B0671	Thread guide on face plate	1	1	1	1	
A08	HA106B0676	Thread guide screw	1	1	1	1	SM9/64(40)×6
A09	HA700B2030	Face plate screw	3	3	3	3	SM11/64(40)×20
A10	H2100B2070	Arm sidecover(left)	1	1	1	1	
A11	H2100B2080	Arm sidecover(right)	1	1	1	1	
A12	H2100B2090	Gasket for arm side cover	1	1	1	1	
A13	HA300B2170	Screw group	8	8	8	8	SM11/64(40)×9
A14	H1210B0671	Check window	1	1	1	1	
A15	HA112B0691	Screw type tension stud	1	1	1	1	SM11/64(40)×16
A16	HA112B0692	Spring for pre-tension	1	1	1	1	
A17	HA112B0693	Disc for pre-tension	2	2	2	2	
A18	HA112B0694	Spacer for pre-tension	1	1	1	1	
A19	HA112B0695	Pre-tension thread guide	1	1	1	1	
A20	H007013030	Stop ring	1	1	1	1	GB/T896 3
A21	HA100B2100	Three-hple thread guide	1	1	1	1	
A22	HA100B2110	Set screw	1	1	1	1	SM11/64(40)×5.5
A23	HA115B0701	Thread tension stud	1	1	1	1	SM1/4(40)×17
A24	HA310B0701	Oil thumb nut	1	1	1	1	
A25	HA505B0671	Thread tension spring	1	1	1	1	
A26	HA310B0702	Thread tension releasing disc	1	1	1	1	
A27	HA310B0705	Thread tension disc	2	2	2	2	
A28	HA505B0672	Thread take-up spring	1	1	1	1	
A29	HA310B0703	Thread tension regulating bushing	1	1	1	1	
A30	HA115B0708	Set screw	1	1	1	1	SM9/64(40)×4
A31	HA115B0709	Thread tension releasing pin	1	1	1	1	
A32	HA115B7010	Stop disc	1	1	1	1	
A33	HA115B7011	Rubber ring	1	1	1	1	
A34	HA300B2080	Set screw	1	1	1	1	SM15/64(28)×6.8
A35	HA600B2050	Thread guide at arm center	1	1	1	1	
A36	HA300B2090	Rubber plug (ϕ 8.8)	2	2	2	2	
A37	HA300B2100	Rubber plug (ϕ 27)	1	1	1	1	

A. ARM BED AND ITS ACCESSORIES

Fig. No.	Part No.	Description	GC0318-1	GC0318-2	GC0318-8	GC0618	Remarks
A38	HA300B2110	Red rubber plug (ϕ 5.7)	2	2	2	2	
A39	H2100B2120	Needle plate	1				
A39	H1100B2080	Needle plate		1			
A39	H2900B2030	Needle plate			1		
A39	H2300B2060	Needle plate				1	
A40	HA300B2190	Needle plate screw	2	2	2	2	SM11/64(40) \times 4.5
A41	HA124B0711	Slide plate	1	1	1	1	
A42	HA124B0712	Slide plate spring	1	1	1	1	
A43	HA124B0713	Screw	2	2	2	2	SM3/32(56) \times 2.2
A44	HA100B2220	Leg	3	3	3	3	
A45	HA300B2140	Plate for guide	1	1	1	1	
A46	HA300B2130	Screw	2	2	2	2	SM11/64(40) \times 5
A47	HA307B0673	Rubber plug	1	1	1	1	

B.NEEDLE BAR AND TAKE-UP, ARM SHAFT AND VERTICAL SHAFT MECHANISM



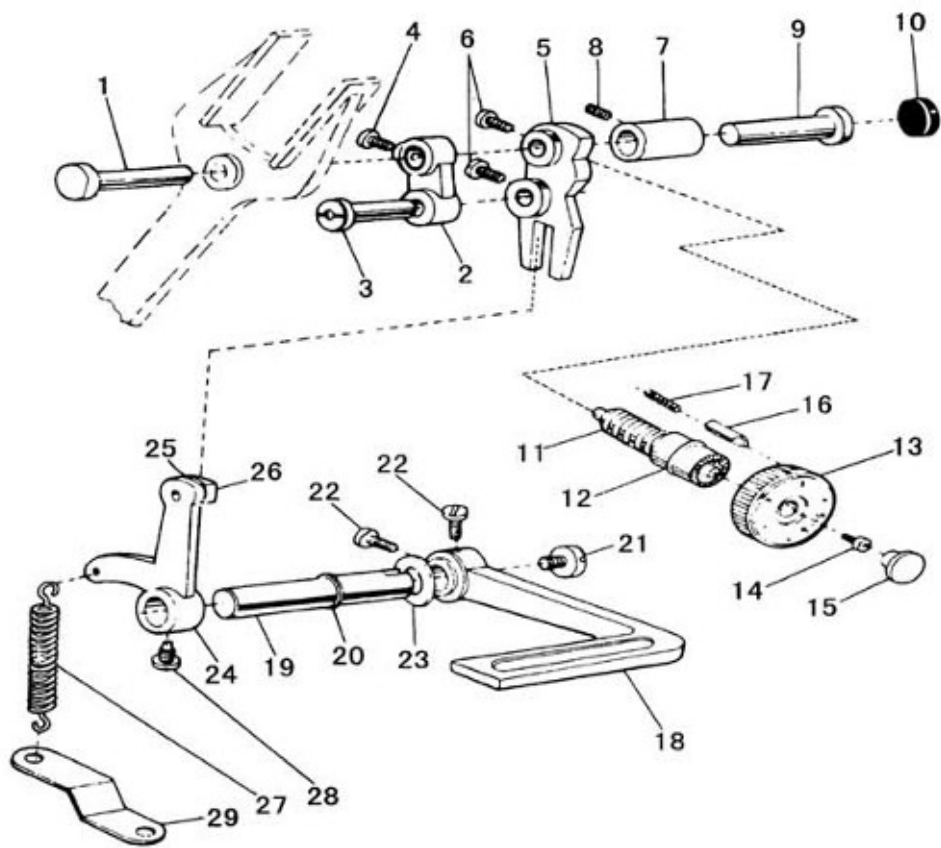
B. NEEDLE BAR AND TAKE-UP, ARM SHAFT AND VERTICAL SHAFT MECHANISM

Fig. No.	Part No.	Description	GC0318-1	GC0318-2	GC0318-8	GC0618	Remarks
B01	H11111C104	Therad take-up lever	1	1	1	1	
B02	H11112C104	Thread take-up lever link	1	1	1	1	
B03	HA104C0653	Hinge pin	1	1	1	1	
B04	HA504C0651	Thread take-up crank	1		1	1	
B04	H2204C0652	Thread take-up crank		1			
B04	HA104C0655	Needle bearing	2	2	2	2	
B05	HA104C0656	Set screw (left-handed)	1	1	1	1	SM9/64(40)×7
B06	HA304C0653	Needle bar link	1	1	1	1	
B07	HA104C0658	Needle bar adaptor	1	1	1	1	
B08	HA104C0659	Screw	1	1	1	1	SM9/64(40)×6
B09	HA100C2020	Set screw	1	1	1	1	SM15/64(28)×10
B10	HA307C0661	Needle bar crank	1	1	1	1	
B11	HA307C0662	Set screw	2	2	2	2	SM1/4(40)×6
B12	HA100C2060	Set screw	1	1	1	1	SM9/32(28)×13
B13	HA100C2070	Set screw	1	1	1	1	SM9/32/(28)×14
B14	HA100C2080	Needle bar bushing (upper)	1	1	1	1	
B15	HA100C2100	Felt plug	1	1	1	1	
B16	HA300C2050	Red rubber plug (Φ 8.8)	1	1	1	1	
B17	HA804B0652	Needle bar bushing (lower)	1	1	1		
B18	HA500C2060	Thread guide for needle bar bushing	1	1	1		
B18	HA100B2140	Thread guide for needle bar bushing				1	
B19	H2100C2010	Needle bar	1	1	1	1	
B20	HA500C2030	Thread guide for needle bar	1	1	1	1	
B21	H2000G2030	Needle	1			1	DP×17 #22
B21	H3800C2010	Needle		1			DP×17 #24
B21	H2900C2010	Needle			1		DP×17 #18
B22	HA100C2170	Needle clamp screw	1	1	1	1	SM1/8(44)×4.5
B23	HA100C2180	Guide for slide block	1	1	1	1	
B24	HA100C2190	Set screw	2	2	2	2	SM11/64(40)×8
B25	HA100C2200	Slide block	1	1	1	1	
B26	HA304D0651	Arm shaft	1	1	1	1	
B27	HA104D0652	Rubber plug (Φ 7.4×10)	2	2	2	2	
B28	HA108G0661	Collar for	1	1	1	1	
B29	HA105D0662	Set screw	2	2	2	2	SM1/4(40)×4
B30	HA100D2030	Arm shaft bushing(left)	1	1	1	1	
B31	HA100D2040	Arln shaft bushing(middle)	1	1	1	1	
B32	HA100C2020	Set screw	1	1	1	1	SM15/64(28)×10
B33	HA300D2020	Arvn shaft bushing(right)	1	1	1	1	
B34	HA306D0066	Oil seal	1	1	1	1	
B35	H2000C2040	Balance wheel	1	1	1	1	
B36	HA110D0672	Set screw	2	2	2	2	SM15/64(28)×12
B37	HA100D2080	Screw	1	1	1	1	SM11/32(28)×10
B38	H11211D105	Feed and feed lifting eccentric	1	1	1	1	

B. NEEDLE BAR AND TAKE-UP, ARM SHAFT AND VERTICAL SHAFT MECHANISM

Fig. No.	Part No.	Description	GC0318-1	GC0318-2	GC0318-8	GC0618	Remarks
B39	HA3411D308	Set screw	2	2	2	2	SM15/54(28)×7
B40	HA3411D208	Eccentric sleeve	1	1	1	1	
B41	HA112D3012	Retaining ring	1	1	1	1	
B42	HA112D3013	Crank rod for feed lifting rock shaft	1	1	1	1	
B43	HA504D0651	Feed forked connection	1	1	1	1	
B44	H2100D2010	Vertical shaft	1	1	1	1	
B45	HA113D2112	Bevel gear for arm shaft	1	1	1	1	
B46	HA113D2122	Bevel gear for vertical shaft(upper)	1	1	1	1	
B47	HA108C0663	Set screw	8	8	8	8	SM1/4(40)×7
B48	HA113D2212	Bevel gear for hook shaft	1	1	1	1	
B49	HA113D2222	Bevel gear for vertical shaft(lower)	1	1	1	1	
B50	HA100D2110	Vertical shaft bushing(upper)	1	1	1	1	
B51	HA600D2010	Vertical shaft bushing(lower)	1	1	1	1	
B52	HA100C2020	Set screw	2	2	2	2	SM15/64(28)×10
B53	HA604E0651	Rotating hook shaft	1	1	1	1	
B54	HA1111E104	Filter screw	1	1	1	1	SM3/16(32)×9
B55	HA1111E204	Filter	1	1	1	1	
B56	HA305E0661	Collar for hook shaft	1	1	1	1	
B57	HA305E0662	Set screw	2	2	2	2	SM15/64(28)×4.5
B58	HA106E0071	Oil seal for rotating hook shaft	1	1	1	1	
B59	HA100E2040	Hook shaft bushing (left)	1	1	1	1	
B60	HA300E2030	Oil adjusting screw	1				SM15/64(28)×25.5
B60	HA100E2050	Oil adjusting screw		1	1	1	SM11/64(40)×28.5
B61	HA100E2060	Spring for oil adjuster	1	1	1	1	
B62	HA311E0671	Hook shaft bushing (right)	1	1	1	1	
B63	HA110E0672	Oil pipe for hook shaft bushing	1	1	1	1	
B64	HA300E2100	Plunger	1	1	1	1	
B65	HA300E2110	Plunger spring	1	1	1	1	
B66	HA600E2020	Guide plate	1	1	1	1	
B67	HA104F0654	Screw	1	1	1	1	SM15/64(28)×10
B68	H1105E0066	Rotating hook complete	1	1	1		
B68	H2300E2010	Rotating hook complete				1	
B69	H2100E2010	Rotating hook positioner	1	1	1	1	
B70	HA100E2150	Screw	1	1	1	1	SM11/64(40)×13
B71	HA608E0067	Bobbin case	1	1	1	1	
B72	H1100E2010	Bobbin	1	1	1	1	
B73	H2100B2100	Arm sidecover baffle	1	1	1	1	
B74	HA712N6912	Screw	2	2	2	2	
B75	H005001040	Washer	2	2	2	2	GB/T97.1 4

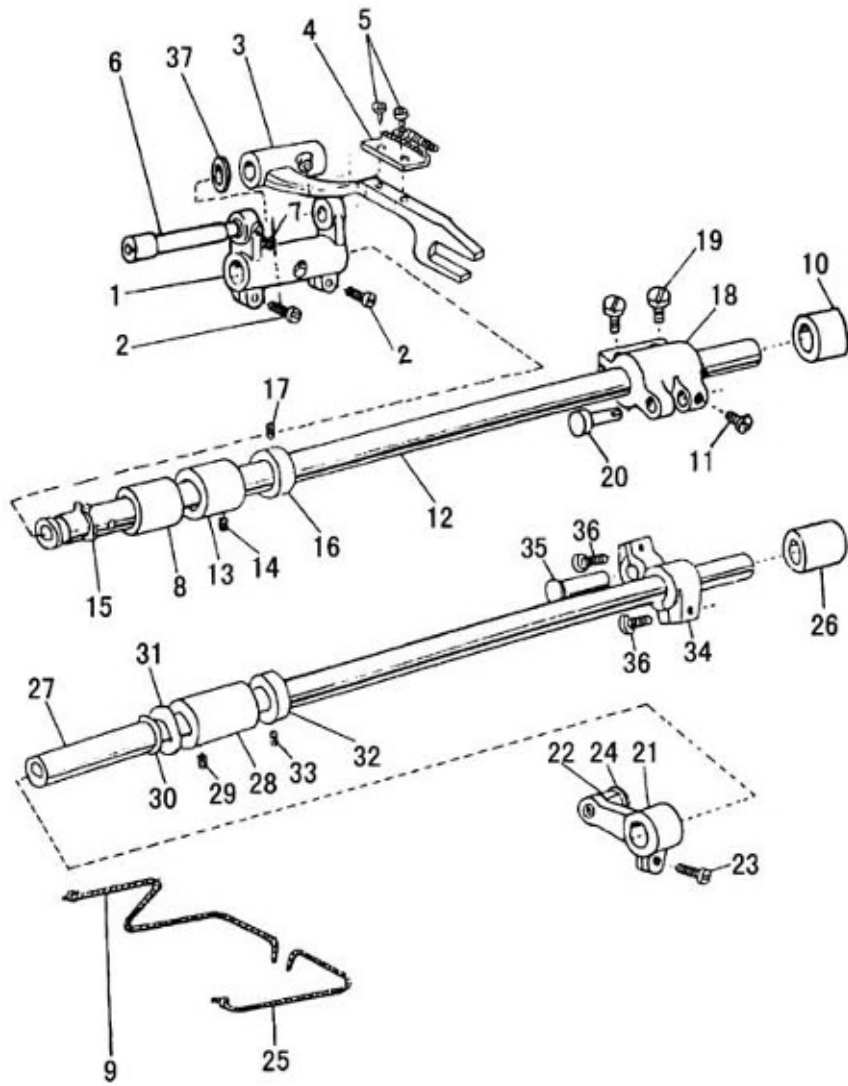
C. STITCH REGULATOR MECHANISM



C. STITCH REGULATOR MECHANISM

Fig. No.	Part No.	Description	GC0318-1	GC0318-2	GC0318-8	GC0618	Remarks
C01	HA104F0651	Hinge pin	1	1	1	1	
C02	HA104F0652	Feed connecting link	1	1	1	1	
C03	HA104F0653	Hinge pin for feed connecting link	1	1	1	1	
C04	HA104F0654	Screw	1	1	1	1	SM15/64(28)×10
C05	H1000F2010	Feed regulator	1	1		1	
C05	HA105F0661	Feed regulator			1		
C06	HA104F0654	Screw	2	2	2	2	SM15/64(28)×10
C07	HA300F2020	Feed regulator bushing	1	1	1	1	
C08	HA100C2020	Set screw	1	1	1	1	SM15/64(28)×10
C09	HA100F2040	Hinge pin for feed regulator	1	1	1	1	
C10	HA700B2120	Rubber plug (Φ20×6)	1	1	1	1	
C11	HA506F0671	Feed regulator screw bar	1	1		1	
C11	HA109F0671	Feed regulator screw bar			1		
C12	HA109F0674	O-ring	2	2	2	2	Φ14×2.4
C13	H1104F0651	Dial	1			1	
C13	H3100E2070	Dial		1			
C13	HA307F0661	Dial			1		
C14	HA109F0673	Screw	1	1	1	1	SM3/16(28)×8
C15	HA300F2050	Rubber plug	1	1	1	1	
C16	HA100F2080	Stopper pin	1	1	1	1	
C17	HA100F2090	Spring for stopper pin	1	1	1	1	
C18	HA309F0671	Reverse feed lever	1	1	1	1	
C19	HA113F3021	Reverse feed lever shaft	1	1	1	1	
C20	HA113F3022	O-ring	1	1	1	1	Φ9×1.9
C21	HA113F0683	Screw	1	1	1	1	SM3/16(28)×6.5
C22	HA104F0654	Screw	2	2	2	2	
C23	HA100F2110	Washer	1	1	1	1	
C24	HA115F0691	Reverse feed crank	1	1	1	1	
C25	HA1511F115	Slide block pin	1	1	1	1	
C26	HA1511F215	slide block	1	1	1	1	
C27	HA115F0692	Spring for feed crank	1	1	1	1	
C28	HA100F2130	Screw	1	1	1	1	SM15/64(28)×10
C29	HA100F2140	Bracket spring	1	1	1	1	

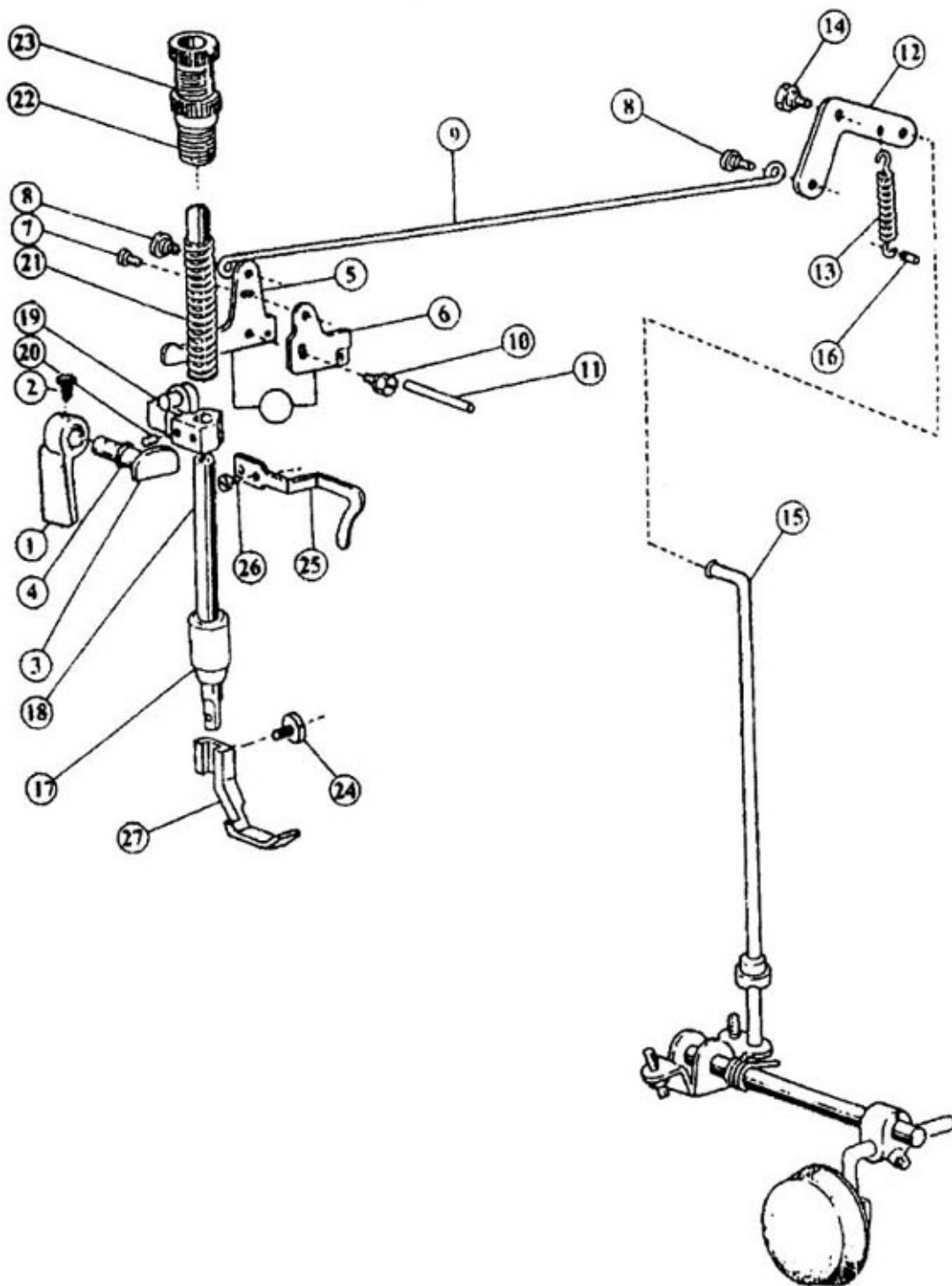
D. FEEDING AND FEED LIFTING MECHANISM



D. FEEDING AND FEED LIFTING MECHANISM

Fig. No.	Part No.	Description	GC0318-1	GC0318-2	GC0318-8	GC0618	Remarks
D01	HA104G0011	Feed rock shaft crank (left)	1	1	1	1	
D02	HA304G0656	Screw	2	2	2	2	SM3/16(28)×15
D03	H2004L0661	Feed bar	1	1	1	1	
D04	HA104G0653	Feed dog	1				
D04	H1100G2110	Feed dog		1			
D04	H2900G2010	Feed dog			1		
D04	H2300G2010	Feed dog				1	
D05	HA104G0654	Screw	2	2	2	2	SM1/8(44)×6
D06	H1100G2040	Hinge pin for feed regulator	1	1	1	1	
D07	HA100C2190	Screw	1	1	1	1	SM11/64(40)×8
D08	H2100G2060	Bushing for feed rock shaft(left)	1	1	1	1	
D09	HA304G0655	Oil braid	1	1	1	1	
D10	H2100G2050	Bushing for feed rock shaft(right)	1	1	1	1	
D11	HA104F0654	Screw	1	1	1	1	SM15/64(28)×10
D12	H2100G2010	Feed rock shaft	1	1	1	1	
D13	H2100G2020	Bushing for feed rock shaft	1	1	1	1	
D14	HA305E0662	Set screw	1	1	1	1	SM15/64(28)×4
D15	H007009150	C-type stop ring	1	1	1	1	
D16	HA108G0661	Collar	1	1	1	1	
D17	HA105D0662	Set screw	2	2	2	2	SM1/4(40)×4
D18	H2100G2030	Feed rock shaft crank (right)	1	1	1	1	
D19	HA104G0012	Screw	2	2	2	2	SM3/16(28)×12
D20	H2100G2040	Hinge pin	1	1	1	1	
D21	HA305G1011	Feed lifting rock shaft crank (left)	1	1	1	1	
D22	HA305G1012	Shaft	1	1	1	1	
D23	HA111G0683	Screw	1	1	1	1	SM11/64(40)×12
D24	HA310G3011		1	1	1	1	
D25	HA305G0664	Oil braid	1	1	1	1	
D26	H2100G2070	Bushing for feed lifting rock shaft(right)	1	1	1	1	
D27	HA200G2020	Feed lifting rock shaft	1	1	1	1	
D28	HA100G2120	Bushing for feed lifting rock shaft	1	1	1	1	
D29	HA100C2020	Set screw	1	1	1	1	SM15/64(28)×10
D30	H007009150	C-type stop ring	1	1	1	1	
D31	HA100G2130	Washer	1	1	1	1	
D32	HA108G0661	Collar for feed lifting rock shaft	1	1	1	1	
D33	HA105D0662	Screw	2	2	2	2	SM1/4(40)×4
D34	HA306G0671	Feed lifting rock shaft crank (right)	1	1	1	1	
D35	HA100G2070	Hinge pin	1	1	1	1	
D35	HA305E0662	Screw	1	1	1	1	SM11/64(40)×12
D36	HA104G0012	Screw	2	2	2	2	SM3/16(28)×12
D37	HA104G0656	Washer	1	1	1	1	

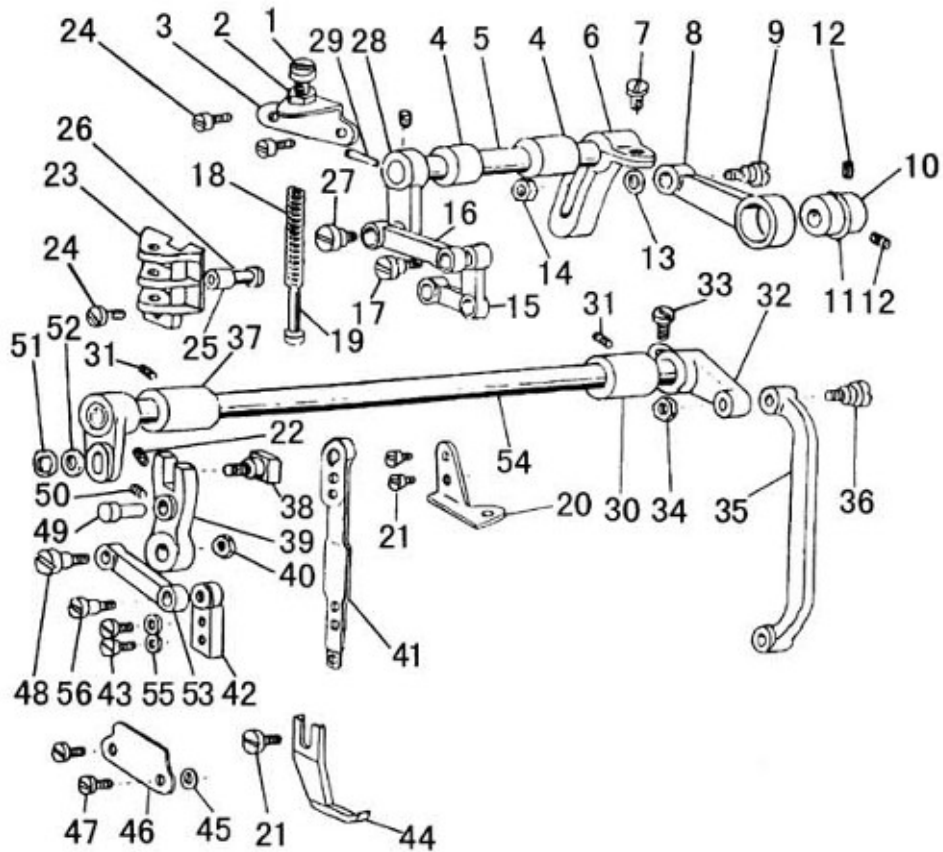
E.PRESSER FOOT MECHANISM



E. PRESSER FOOT MECHANISM

Fig. No.	Part No.	Description	GC0318-1	GC0318-2	GC0318-8	GC0618	Remarks
E01	H2104H0651	Presser bar lifter	1	1	1	1	
E02	HA100B2110	Set screw	1	1	1	1	SM11/64(40)×5
E03	H2104H0661	Presser bar lifting cam	1		1	1	
E03	H3804H0651	Presser bar lifting cam		1			
E04	HA300H2080	Oil seal for presser bar lifting cam	1	1	1	1	8×1.9
E05	HA107H1011	Knee lifter lever (left)	1	1	1	1	
E06	HA305H6611	Tension releasing cam	1	1	1	1	
E07	HA107H1013	Screw	1	1	1	1	SM11/64(40)×6
E08	HA107H0662	Hinged screw	2	2	2	2	SM3/16(28)×3.5
E09	HA107H0663	Knee lifter rod	1	1	1	1	
E10	HA100H2050	Bolt	1	1	1	1	SM15/64(28)×13
E11	HA100H2060	Tension releasing pin	1	1	1	1	
E12	HA110H0671	Knee lifter lever (right)	1	1	1	1	
E13	HA110H0672	Spring	1	1	1	1	
E14	HA100H2050	Bolt for knee lifter lever	1	1	1	1	SM15/64(28)×10
E15	HA306H0671	Knee lifter connecting rod	1	1	1	1	
E16	HA100H2080	Pin for spring	1	1	1	1	
E17	HA300H2090	Presser bar bushing	1	1	1	1	
E18	H2000I2010	Presser bar	1	1	1	1	
E19	H2305H0671	Presser bar lifting bracket	1	1	1	1	
E20	HA3411D308	Set screw	1	1	1	1	SM15/64(28)×7
E21	H1100H2020	Presser spring	1	1	1	1	
E22	H2005I0065	Pressure regulating thumb screw	1	1	1	1	SM1/2(28)×43
E23	HA117H0692	Lock nut	1	1	1	1	
E24	HA100H2150	Set screw	1	1	1	1	SM9/64(40)×11
E25	HA300H2120	Upper thread guide	1	1	1	1	
E26	HA100C2040	Screw	1	1	1	1	SM11/64(40)×5
E27	H2000I2040	Presser foot complete	1				
E27	H3800H2020	Presser foot complete		1			
E27	H2900H2020	Presser foot complete			1		
E27	H2300H2010	Presser foot complete				1	

F. PRESSER LIFTING, FEEDING MECHANISM



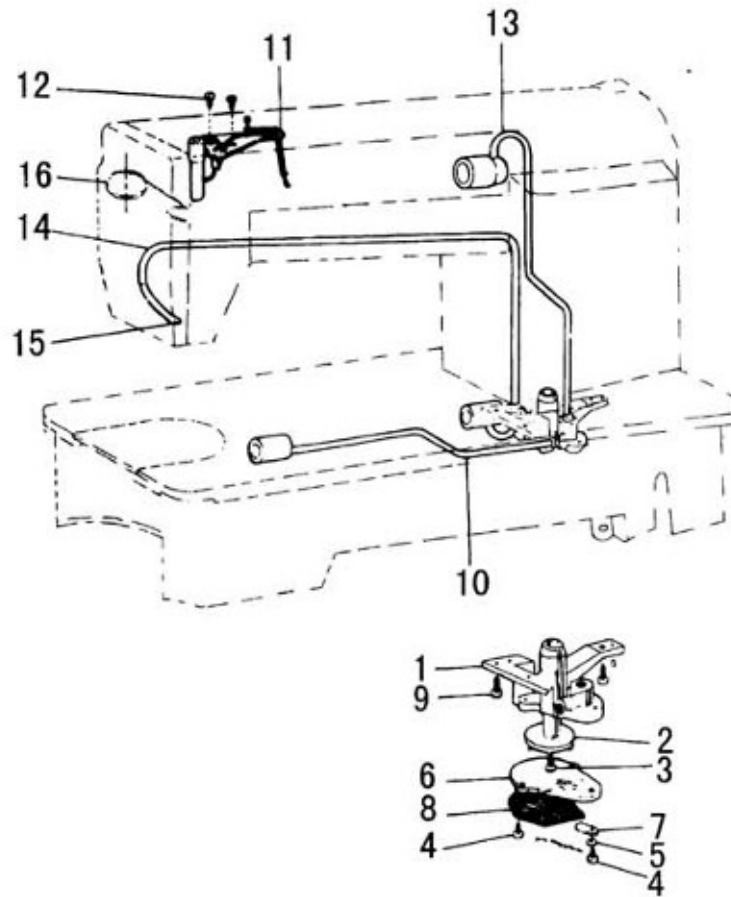
F. PRESSER LIFTING、 FEEDING MECHANISM

Fig. No.	Part No.	Description	GC0318-1	GC0318-2	GC0318-8	GC0618	Remarks
F01	H2010J0065	Lifting presser adjusting screw	1	1	1	1	SM9/32(28)×35
F02	H2010J0066	Lifting presser adjusting nut	1	1	1	1	SM9/32(28)
F03	H2100I2080	Lifting presser bracket for spring	1	1	1	1	
F04	H2009B0068	Presser lifting shaft bushing	2	2	2	2	
F05	H2011J0066	Shaft	2	2	2	2	
F06	H2100I2010	Presser lifting shaft	1	1	1	1	
F07	H2012N0652	Set screw	1	1	1	1	
F08	H2104I0065	Eccentric wheel rod	1	1	1	1	
F09	H2000J2100	Set screw	1	1	1	1	M6(0.75)×29
F10	H2014J0652	Eccentric wheel	1	1	1	1	
F11	H007009250	C-type stop ring	1	1	1	1	GB/T894.1 25
F12	HA307C0662	Screw	2	2	2	2	SM1/4(40)×6
F13	H2013J0065	Washer	1	1	1	1	
F14	H0030020608	Nut	1	1	1	1	GB/T6170 M6×0.75
F15	H2100I2020	Presser feed crank	1	1	1	1	
F16	H2004J0652	Presser feed crank link	1	1	1	1	
F17	H2004J0653	Screw	1	1	1	1	SM3/16(28)×12.6
F18	H2000J2050	Lifting presser spring	1	1	1	1	
F19	H2007J0066	Presser spring guide	1	1	1	1	
F20	H2100I2090	Lifting presser guide plate	1	1	1	1	
F21	HA100H2150	Screw	1	1	1	1	SM9/64(40)×13
F22	H609025180	Pin	1	1	1	1	GB/T879.1 2.5×18
F23	H2000J2020	Lifting presser plate	2	2	2	2	
F24	H2000I2050	Screw	1	1	1	1	SM9/64(40)×10
F25	H2000J2030	Lifting presser spring guide pin	1	1	1	1	
F26	H2004J0655	Feed crank guide shaft	1	1	1	1	
F27	H2004J0662	Screw	1	1	1	1	SM1/4(40)×15
F28	H2011J0065	Presser lifting crank	1	1	1	1	
F29	H602040200	Pin	1	1	1	1	GB/T117 4×20
F30	H2100I2060	Presser swing shaft bushing (right)	1	1	1	1	
F31	HA100B2110	Screw	2	2	2	2	SM11/64(40)×5.5
F32	H2012N0651	Presser swing crank(right)	1	1	1	1	
F33	H2012N0652	Screw	1	1	1	1	SM1/4(24×19.7)
F34	H2010J0066	Lifting presser adjusting nut	1	1	1	1	SM9/32(28)
F35	H2100I2030	Presser swing crank (right) rod	1	1	1	1	
F36	H2012N0066	Screw	1	1	1	1	SM9/32(28)×28
F37	H2100I2060	Presser swing shaft bushing (left)	1	1	1	1	
F38	H2013N0065	Lifting presser sway crank shaft compl	1	1	1	1	
F39	H2013N0069	Lifting presser sway crank	1	1	1	1	
F40	H2008N0066	Lock nut	1	1	1	1	SM1/4(40)
F41	H2004J0654	Presser rod	1	1	1		
F41	H2300I2040	Presser rod				1	
F42	H2004J0661	Presser rod guide	1	1	1	1	

F. PRESSER LIFTING、FEEDING MECHANISM

Fig. No.	Part No.	Description	GC0318-1	GC0318-2	GC0318-8	GC0618	Remarks
F43	H2004J0067	Screw	2	2	2	2	SM9/64(40)×9
F44	H2100I2040	Out presser	1				
F44	H3800I2010	Out presser		1			
F44	H2900I2020	Out presser			1		
F44	H2300I2020	Out presser				1	
F45	H2000N0040	Space for presser rod plate	2	2	2	2	
F46	H2000N0030	Lifting presser rod plate	1	1	1		
F46	H2300I2030	Lifting presser rod plate				1	
F47	HA111G0683	Screw	2	2	2	2	SM11/64(40)×14.5
F48	H2008N0065	Screw	1	1	1	1	SM1/4(40)×26
F49	H2013N0066	Lifting presser sway crank guide pin	1	1	1	1	SM1/4(40)
F50	H2100I2070	Screw	1	1	1	1	SM3/16(32)×7
F51	H2013N0067	Presser crank connecting nut	1	1	1	1	SM1/4(24)
F52	H2013J0065	Washer	1	1	1	1	
F53	H2013N0070	Presser swing crank(left)	1	1	1	1	
F54	H2009N0066	Presser swing shaft	1	1	1	1	
F55	HA100I2050	Washer	1	1	1	1	
F56	H2004J0662	Screw	1	1	1	1	SM1/4(40)×15

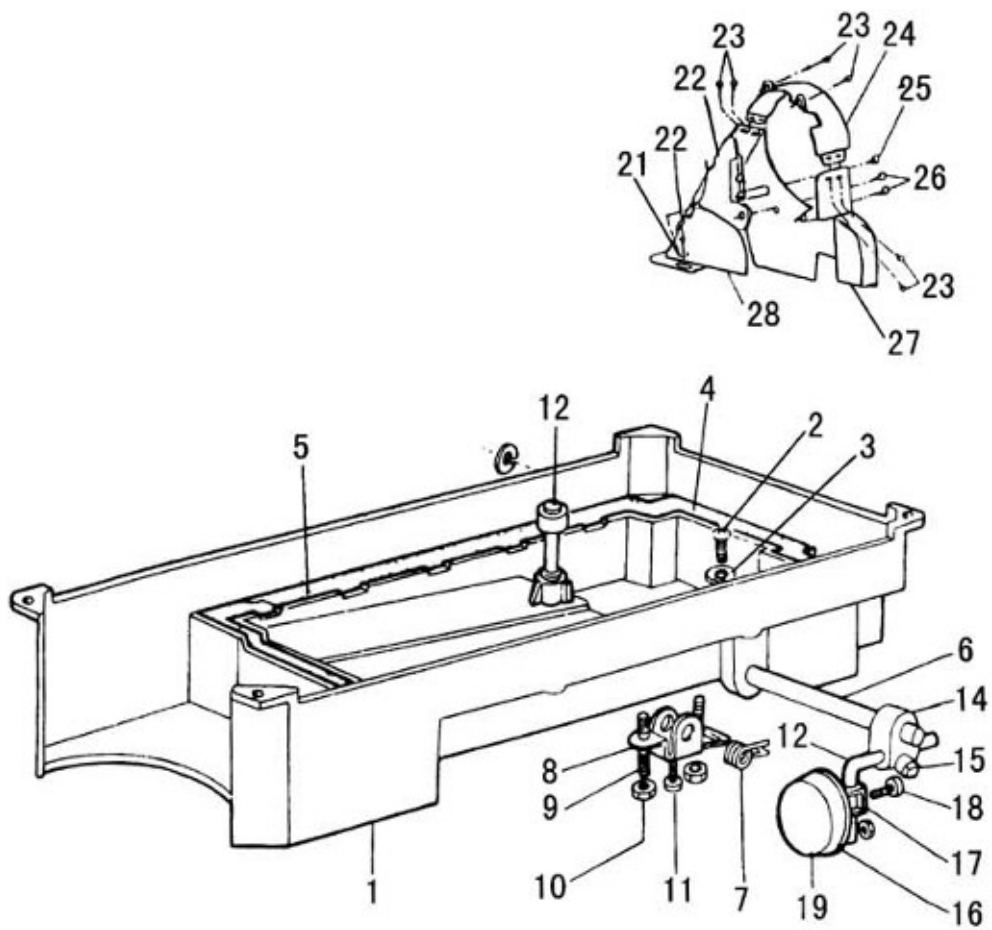
G. LUBRICATION MECHANISM



G. LUBRICATION MECHANISM

Fig. No.	Part No.	Description	GC0318-1	GC0318-2	GC0318-8	GC0618	Remarks
G01	HA100I2010	Oil pump body	1	1	1	1	
G02	H6010I8001	Oil pump impeller	1	1	1	1	
G03	HA100I2090	Screw	1	1	1	1	SM11/64(40)×13
G04	HA300I2050	Screw	3	3	3	3	
G05	HA100I2050	Spring washer	1	1	1	1	
G06	H6012I8001	Oil pump fitting plate	1	1	1	1	
G07	HA100I2070	Oil adjusting plate	1	1	1	1	
G08	HA111I0065	Oil pump screen complete	1	1	1	1	
G09	HA100I2090	Screw	3	3	3	3	SM11/64(40)×13
G10	HA113I0066	Oil pipe for hook shaft	1	1	1	1	
G11	HA304I0065	Oil braid fitting plate	1	1	1	1	
G12	HA100I2020	Screw	2	2	2	2	SM9/64(40)×11
G13	H5604G0065	Oil pipe for arm shaft	1	1	1	1	
G14	HA305I0661	Oil return pipe	1	1	1	1	
G15	HA100I2150	Felt pouch	1	1	1	1	
G16	HA300I2060	pipe holder	1	1	1	1	

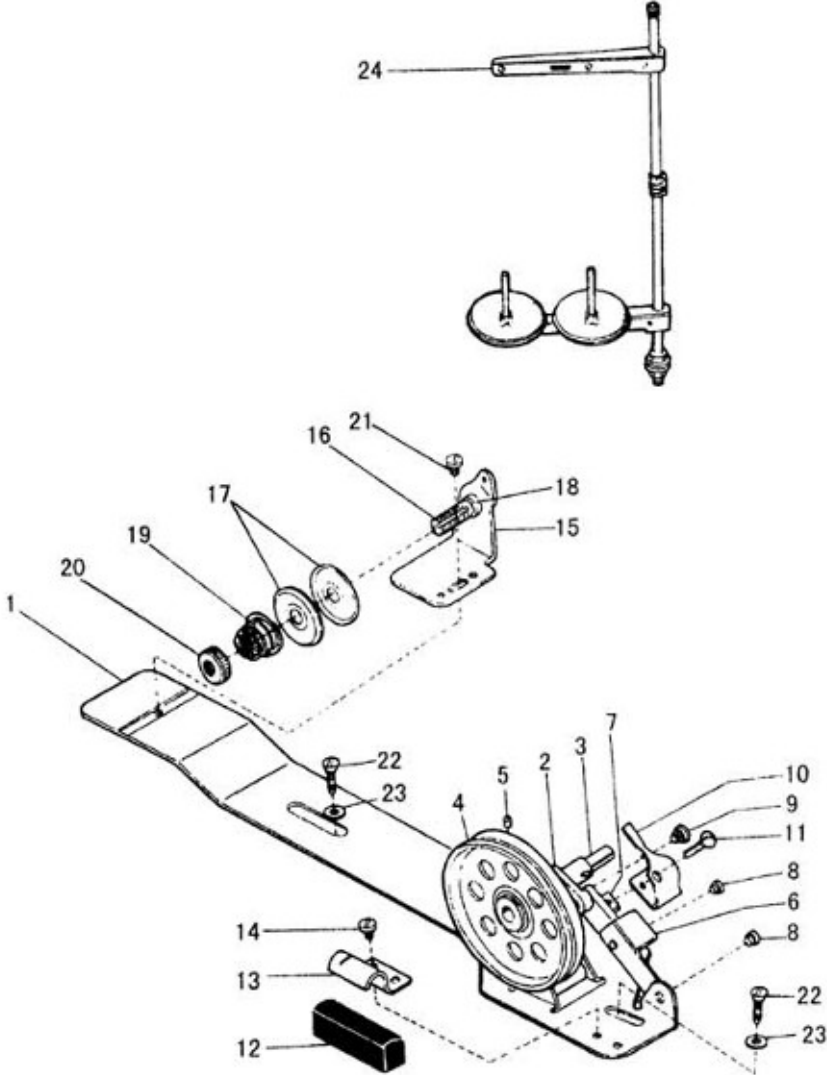
H. OIL RESERVOIR AND OTHER ACCESSORIES



H. OIL RESERVOIR AND OTHER ACCESSORIES

Fig. No.	Part No.	Description	GC0318-1	GC0318-2	GC0318-8	GC0618	Remarks
H01	HA304J0651	Oil seservoir	1				
H01	HA604J0651	Oil seservoir		1	1	1	
H02	HA104J0652	Oil drain screw	1	1	1	1	SM5/16(28)×10
H03	HA104J0653	Washer	1	1	1	1	
H04	HA104J0654	Gasket for oil reservoir (small)	1	1	1	1	
H05	HA104J0655	Gasket for oil reservoir (big)	1	1	1	1	
H06	HA300J2160	Hinge pin for knee lifter	1	1	1	1	
H07	HA104J0657	Backspring for knee lifter	1	1	1	1	
H08	HA104J0658	Knee lifter stop bracket	1	1	1	1	
H09	HA104J0659	Adjusting screw	2	2	2	2	SM15/64(28)×28
H10	HA104J6510	Lock nut	2	2	2	2	
H11	HA110D0672	Screw	1	1	1	1	SM15/64(28)×14.8
H12	HA106J0661	Knee lifter lifting rod	1	1	1	1	
H13	HA106J0662	Knee lifter bell crank	1	1	1	1	
H14	HA106J0663	Joint for knee lifter bell crank	2	2	2	2	
H15	HA300J2180	Set screw	1	1	1	1	SM5/16(28)×16
H16	HA106J0665	Knee lifter plate	1	1	1	1	
H17	HA106J0666	Bracket for knee lifter plate	1	1	1	1	
H18	HA106J0667	Set screw	1	1	1	1	SM15/64(28)×8
H19	HA106J0668	Pad for knee lifter plate	4	4	4	4	
H20	H801045200	Screw	4	4	4	4	GB/T99 4.5×20
H21	HA300J2230	Washer	1	1	1	1	
H22	H2008O0068	Belt(upper)	6	6	6	6	
H23	HA300B2170	Screw	1	1	1	1	SM11/64(40)×8
H24	H2008O0671	Belt mark complrte	1	1	1	1	
H25	HA300J2250	Screw	2	2	2	2	M4×12.5
H26	HA300J2280	Screw	1	1	1	1	SM15/64(28)×8
H27	H2008O0067	Belt (lower)	1	1	1	1	
H28	HA305J0665	Belt complete	1	1	1	1	

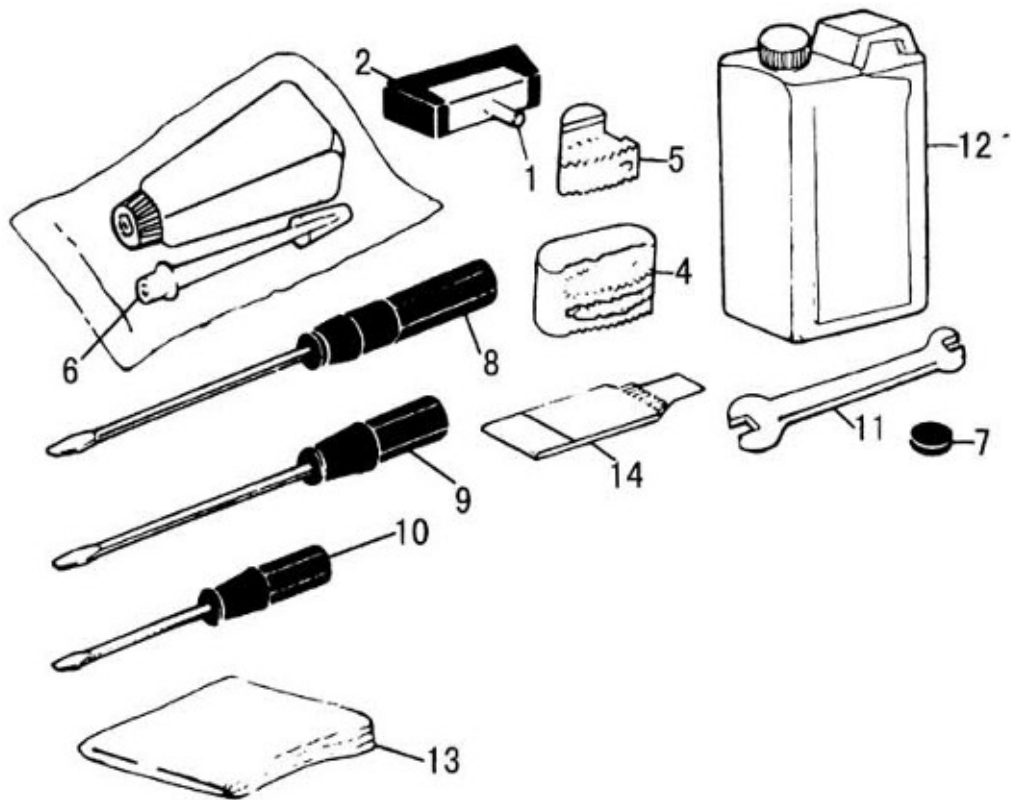
I. BONNIN WINDER MECHANISM



I. BONNIN WINDER MECHANISM

Fig. No.	Part No.	Description	GC0318-1	GC0318-2	GC0318-8	GC0618	Remarks
I01	00H2010	Bobbin winder base	1	1	1	1	
I02	00H2030	Shaft for bobbin winder arm	1	1	1	1	
I02	00H2040	Shaft for bobbin winder	1	1	1	1	
I02	00H2050	Spring	1	1	1	1	
I03	HA109J0681	Bobbin winder spindle	1	1	1	1	
I04	07L0651	Bobbin winder pulley	1	1	1	1	
I05		Screw	1	1	1	1	
I06	00H2100	Bobbin winder stop latch lever	1	1	1	1	
I07	00H2110	Bobbin winder connecting bar	1	1	1	1	
I08	00H2120	Rivet	2	2	2	2	
I09	00H2130	Screw	1	1	1	1	
I10	00H2140	Bobbin winder stop latch	1	1	1	1	
I11	00H2140	Adjusting screw	1	1	1	1	
I12	00H2180	Stopper block	1	1	1	1	
I13	00H2150	Fixture for stopper block	1	1	1	1	
I14		Set screw	1	1	1	1	
I15	00H2160	Bobbin winder tension bracket	1	1	1	1	
I16	00H2170	Bobbin winder tension stud	1	1	1	1	
I17		Bobbin winder tension disc	1	1	1	1	
I18	H005004060	Tension stud bushing	2	2	2	2	
I19	HNG300D275	Bobbin winder tension spring	2	2	2	2	
I20		Tension stud nut	1	1	1	1	
I21		Tension bracket screw	1	1	1	1	
I22	H801045200	Wood screw	2	2	2	2	
I23	HA200J2030	Washer	1	1	1	1	
I24	HA200J2030	Thread stand assay	1	1	1	1	

J. OTHER ACCESSORIES



J. OTHER ACCESSORIES

Fig. No.	Part No.	Description	GC0318-1	GC0318-2	GC0318-8	GC0618	Remarks
J01	HA110J0701	Hinge of machine head	2	2	2	2	
J02	HA307J0671	Rubber socket for hinge	2	2	2	2	
J04	HA300J2050	Rubber cushion(big)	2	2	2	2	
J05	HA300J2060	Rubber cushion(small)	2	2	2	2	
J06	HA100J2110	Oiler	1	1	1	1	
J07	HA100J2120	Magnet	1	1	1	1	
J08	HA300J2070	Screw driver(long)	1	1	1	1	
J09	HA300J2200	Screw driver(medium)	1	1	1	1	
J10	HA300J2210	Screw driver(short)	1	1	1	1	
J11	HA300J2220	Double-end wrench	1	1	1	1	
J12	HA100J2170	Oil container	1	1	1	1	
J13	HA100J2180	Vinyl cover	1	1	1	1	
J14	H2000G2030	Needle	4			4	
J14	H3800C2010	Needle		4			
J14	H2900C2010	Needle			4		

SHANGHAI BIAOZHUN HAILING SEWING MACHINERY CO., LTD.

ADD: NO.850 Shulin Road, Songjiang District Shanghai, P.R.China

Zip Code: 201612

Overseas Business: TEL: 86-21-64853303 FAX: 86-21-64854304

E-mail:sales@highlead.com.cn <http://www.highlead.com.cn>

The description covered in this manual is subject to change for improvement of the commodity without notice

2018.9. Printed